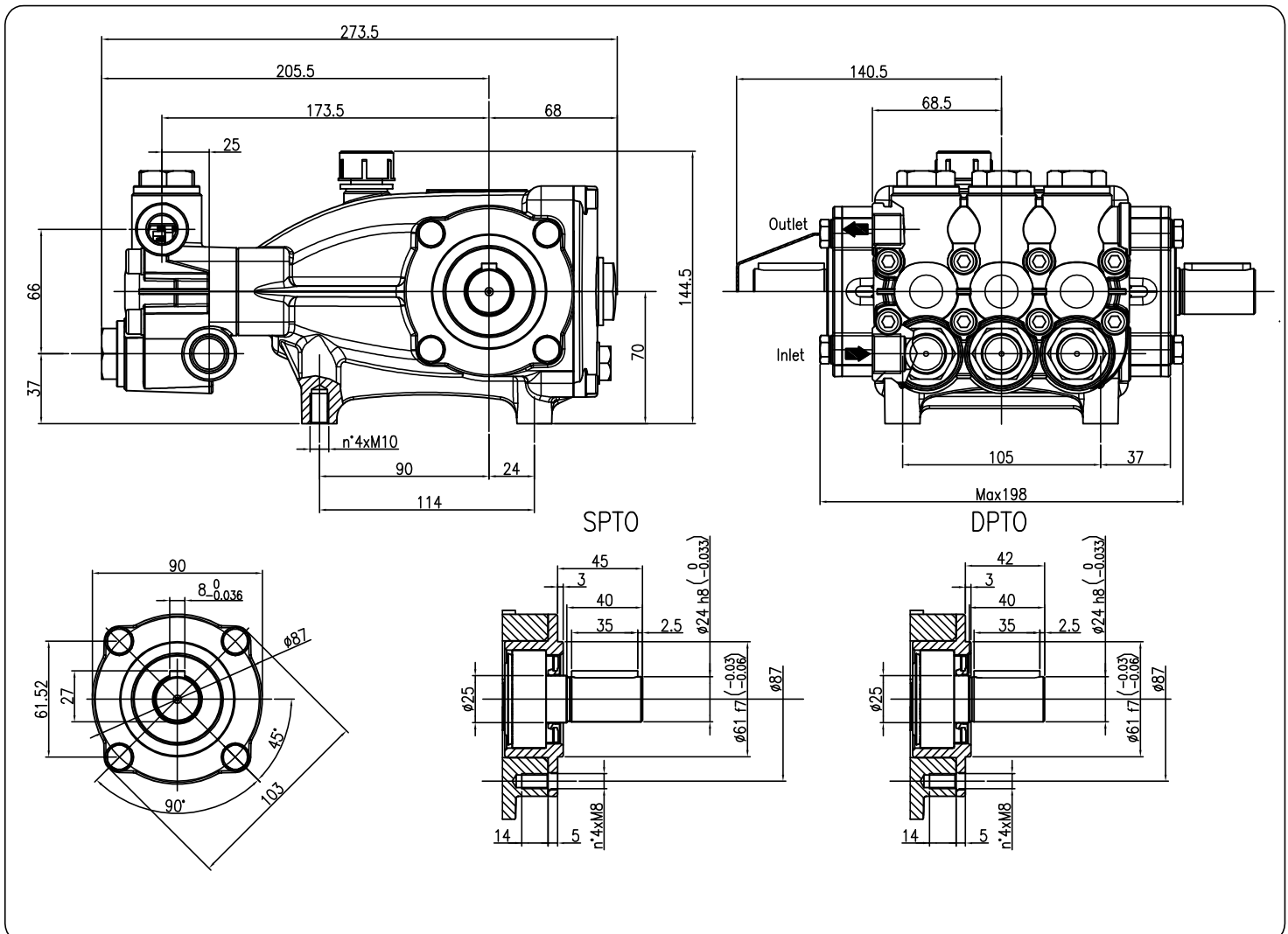


Pump Pompa	Pressure Pressione		Volume Portata				RPM giri/min		Power Potenza			
			l/min		GPM				HP		kW	
	bar	PSI	50 Hz	60 Hz	50 Hz	60 Hz	50 Hz	60 Hz	50 Hz	60 Hz	50 Hz	60 Hz
NPM1225	250	3625	12	14,4	3,2	3,8	1450	1740	7,7	9,2	5,6	6,7
NPM1525	250	3625	15	18	4,0	4,7	1450	1740	9,6	11,5	7,1	8,5
NPM1825	250	3625	18	21,6	4,7	5,6	1450	1740	11,5	13,8	8,3	10,0

Inlet port Entrée Eingang Aspirazione	Outlet Sortie Ausgang Mandata	Weight Kg Poids Kg Gewicht Kg Peso Kg
G 1/2	G 3/8	9.5
G 1/2	G 3/8	9.5
G 1/2	G 3/8	9.5

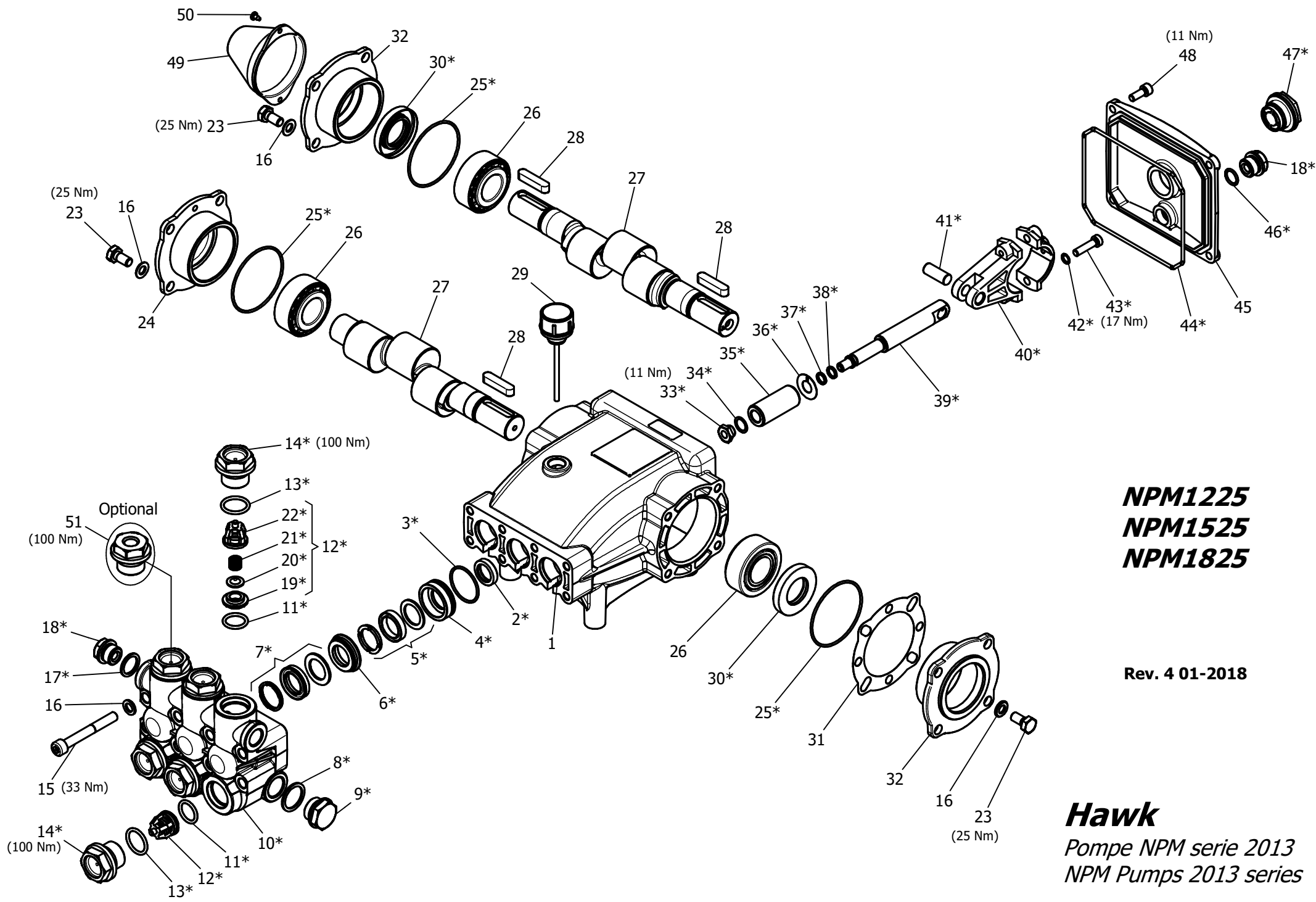
Dimensioni d' ingombro

Overall dimensions



Lubrificazione: Olio SAE 10/W40  
Capacità 0.7 litri

Lubrication: SAE 10/W40 Oil  
Capacity 0.7 liters



**NPM1225**  
**NPM1525**  
**NPM1825**

Rev. 4 01-2018

**Hawk**  
 Pompe NPM serie 2013  
 NPM Pumps 2013 series

## NPM 2013 SERIES

### ORDINARY MAINTENANCE KIT / KIT MANUTENZIONE ORDINARIA

KIT	Item Pos.	Part Number Codice	Description	Descrizione	Q.TY by Pump Q.TA per Pompa	NPM1225RL	NPM1525RL	NPM1825B	NPM1825RL
A	3- 5- 7	1.099-754.0	PLUNGER SEALS DIA. 18 mm	GUARNIZIONI PISTONE Ø18	1				
B	11- 12- 13 (19- 20- 21 22)	1.905-543.0	COMPLETE VALVE	VALVOLA COMPLETA	1	•	•	•	•

### EXTRAORDINARY MAINTENANCE KIT / KIT MANUTENZIONE STRAORDINARIA

KIT	Item Pos.	Part Number Codice	Description	Descrizione	Q.TY by Pump Q.TA per Pompa	NPM1225RL	NPM1525RL	NPM1825B	NPM1825RL
C	3- 4- 5- 6- 7	1.905-652.0	COMPLETE SEALS PACKING DIA. 18 mm	PACCO COMPLETO GUARNIZIONI PISTONE Ø18	1				
D	33- 34- 35 36- 37- 38	1.099-756.0	PLUNGER DIA. 18 mm	PISTONE Ø18	3				
E	2	1.099-751.0	PLUNGER OIL SEALS	ANELLI TENUTA OLIO ASTA	1				
F	18- 25- 30 44- 46- 47	1.905-542.0	KIT CRANKCASE SEALS	KIT TENUTE CARTER	1				
G	3- 4- 5- 6- 7 8- 9- 10- 11 12- 13- 14 15- 16- 17 18 (19- 20 21- 22)	1.099-757.0	COMPLETE MANIFOLD	TESTATA COMPLETA	1	•	•	•	•
H	33- 34- 37 38- 39- 40 41- 42- 43	1.905-544.0	CONNECTING ROD PLUNGER ROD ASSY	PREMONTATO ASTA-BIELLA PISTONE	3				
I	13- 14	1.904-251.0	VALVE PLUG ASSY	PREMONTATO TAPPO VAM	6				

“Q.TY by Pump” => Necessary quantity to repair one pump  
 “Q.TA’ per Pompa” => Quantità necessaria per riparare una pompa

### OPTIONAL

Item Pos.	Part Number Codice	Description	Descrizione	Q.TY by Pump Q.TA per Pompa	NPM1225RL	NPM1525RL	NPM1825B	NPM1825RL
51	9.853-426.0	THREADED BRASS PLUG G1/4	PREMONTATO TAPPO FORATO	1	•	•	•	•

### TOOL KIT

Part Number Codice	Description	Descrizione	Q.TY by Pump Q.TA per Pompa	NPM1225RL	NPM1525RL	NPM1825B	NPM1825RL
1.099-667.0	TOOL-KIT	TOOL-KIT	1	•	•	•	•
1.904-414.0	OIL SEAL EXTRACTOR TOOL-KIT	TOOL-KIT ESTRAZIONE PARAOLIO	1				

### IMPORTANT

### IMPORTANTE

\* Part available **ONLY** in kit  
Disponibile **SOLO** in kit

(...) Parts pre-assembled  
Parti pre-assemblate

## PARTS LIST LISTA PARTI

Item Pos	Part Number Codice	Description	Descrizione	KIT	Q.TY Q.TA	NPM1225RL	NPM1525RL	NPM1825B	NPM1825RL
1	9.850-375.0	CRANKCASE	CARTER		1				
2*		PLUNGER OIL SEAL	ANELLO RADIALE	E	3				
3*		"O" RING Ø1.78X31.47	"O" RING Ø1.78X31.47	A-C-G	3				
4*		PRESSURE RING 18 MM	PRESSORE "U" Ø18	C-G	3				
5*		LOW PRESSURE "U" SEAL, DIA.18 MM	ANELLO TENUTA "U" Ø18	A-C-G	3				
6*		INTERMED. RING 18 MM	DIFFUSORE INTER. Ø18	C-G	3				
7*		HIGH PRESSURE "U" SEAL, DIA.18 MM	ANELLO TENUTA "U" Ø18	A-C-G	3				
8*		COPPER WASHER G1/2	GUARNIZIONE RAME	G	1				
9*		PLUG G1/2	TAPPO G1/2	G	1				
10*		MANIFOLD HOUSING	TESTATA	G	1				
11*		"O" RING Ø2.62X17.13	"O" RING Ø2.62X17.13	B-G	6				
12*		VALVE ASSEMBLY	VALVOLA PREMONTATA	B-G	6	•	•	•	•
13*		"O" RING Ø2.62X20.29	"O" RING Ø2.62X20.29	B-G-I	6				
14*		VALVE PLUG	TAPPO VALVOLA	G-I	6				
15*		MANIFOLD STUD BOLT M8X65 GEOMET	VITE M8X65 GEOMET	G	8				
16*		WASHER Ø8,5	ROSETTA Ø8.5	G	16				
17*		COPPER WASHER G3/8	GUARNIZIONE RAME	G	1				
18*		PLUG G3/8	TAPPO G3/8	G-F	2				
19*		VALVE SEAT	SEDE VALVOLA	B-G	6				
20*		VALVE PLATE	PIATTELLO VALVOLA	B-G	6				
21*		VALVE SPRING	MOLLA VALVOLA	B-G	6				
22*		VALVE CAGE	GABBIA VALVOLA	B-G	6				
23	9.851-501.0	HEXAGONAL SCREW M8X18	VITE M8X18		8				
24	9.850-626.0	CLOSED BEARING HOUSING	FLANGIA CHIUSA		→	1	1	2	1
25*		"O" RING Ø1.78X60.05	"O" RING Ø1.78X60.05	F	2				
26	9.850-349.0	ROLLER BEARING 33205	CUSCINETTO A RULLI 33205		2	•	•	•	•
27	9.850-176.0	SINGLE - ENDED SHAFT	ALBERO SEMPLICE P.D.F.		1		•		
	9.850-177.0	" " "	" " "		1	•			
	9.850-180.0	" " "	" " "		1				•
	9.850-258.0	" " "	" " "		1			•	
28	9.850-446.0	CRANKSHAFT KEY	CHIAVETTA		→	1	1	2	1
29	9.851-286.0	OIL DIP STICK	TAPPO LIVELLO OLIO		1	•	•	•	•
30*		CRANKSHAFT SEAL	ANELLO RADIALE	F	→	1	1	2	1
31	9.850-547.0	SHIM	DISTANZIALE		1	•	•	•	•
32	9.850-625.0	BEARING HOUSING	FLANGIA		→	1	1	2	1
33*		PLUNGER NUT	DADO PISTONE	D-H	3				
34*		COPPER SPACER Ø 11.2/15X0.5	ROSETTA RAME Ø 1.2/15X0.5	D-H	3				
35*		PLUNGER 18 MM	PISTONE Ø18	D	3	•	•	•	•
36*		COPPER SPACER Ø 11.3/24X0.5	ROSETTA RAME Ø 1.3/24X0.5	D	3				

Item Pos	Part Number Codice	Description	Descrizione	KIT	Q.TY Q.TÀ	NPM1225RL	NPM1525RL	NPM1825B	NPM1825RL
37*		"O" RING Ø1.78X7.66	"O" RING Ø1.78X7.66	D-H	3				
38*		TEFLON RING	ANELLO ANTIESTRUSIONE	D-H	3				
39*		PLUNGER ROD	ASTA PISTONE	H	3				
40*		CONNECTING ROD	BIELLA	H	3				
41*		CONNECTING ROD PIN	SPINOTTO	H	3				
42*		SPRING WASHER Ø6	ROSETTA ELASTICA Ø6	H	6				
43*		CONNECTING ROD SCREW M6X30	VITE M6X30	H	6	•	•	•	•
44*		"O" RING Ø 2.62X126.67	"O" RING Ø 2.62X126.67	F	1				
45	9.850-388.0	CRANKCASE COVER	COPERCHIO POSTERIORE		1				
46*		"O" RING Ø1.78X14	"O" RING Ø1.78X14	F	1				
47*		SIGHT GLASS, G3/4	SPIA LIVELLO OLIO G3/4	F	1				
48	9.851-474.0	SCREW M6X16	VITE M6X16		4				
49	9.850-442.0	SHAFT PROTECTOR	CAPPELOTTO PROTEZ.		1			•	
50	9.851-528.0	SHAFT PROTECTOR SCREW	VITE CAPPELOTTO		2				