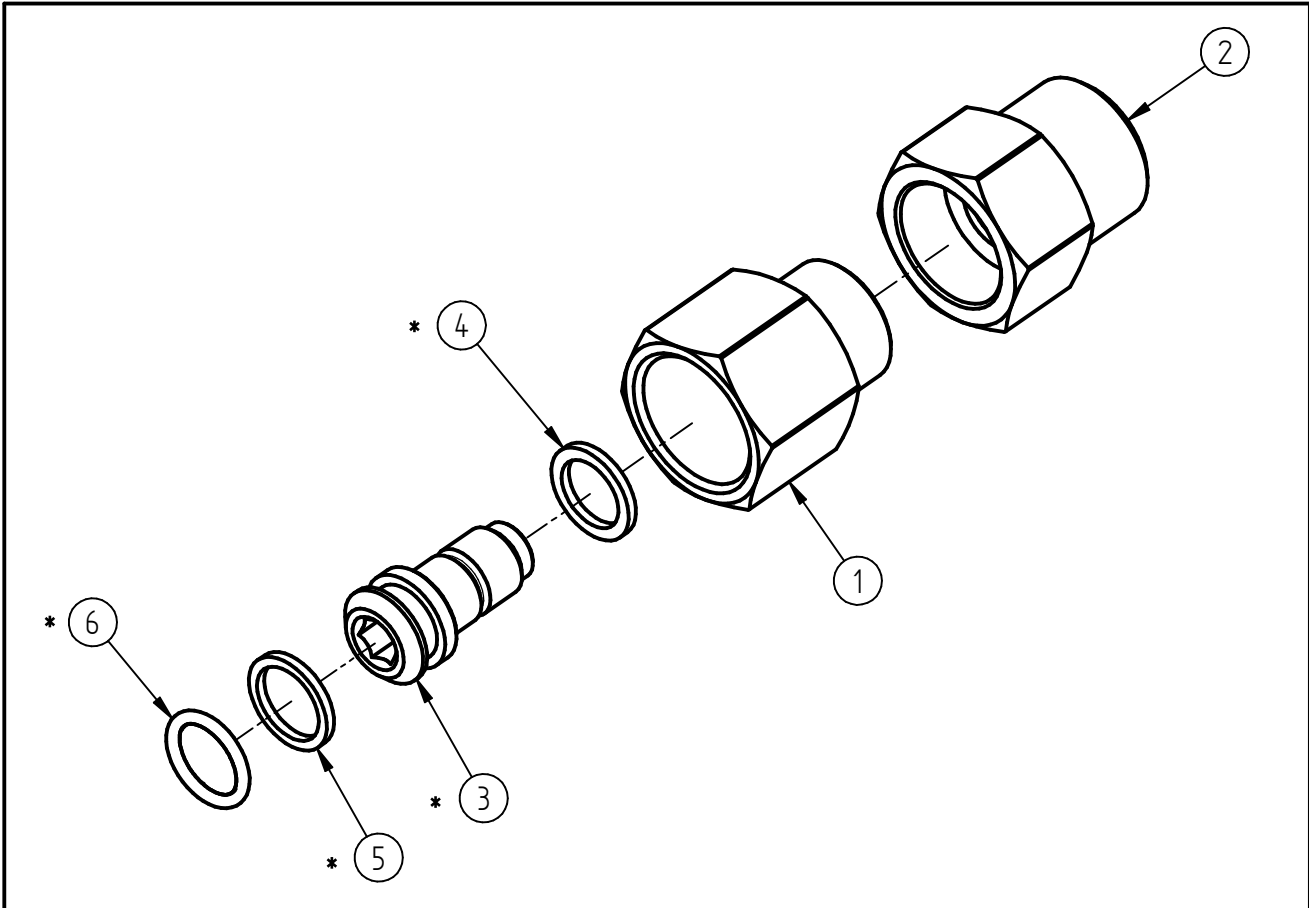


Spare Parts
Swivel ST-310
 Item-No. 20 0310 040



| Pos. | Item-No. | Description |
|------|-------------|-----------------------------|
| 1 | 04 0001 890 | Swivel G1/2 female |
| 2 | 04 0001 870 | Connection part G1/2 male |
| 3 | 04 0000 520 | Connection part G1/4 female |
| 4 | 05 0000 411 | Back ring |
| 5 | 05 0000 409 | Back ring |
| 6 | 05 0000 305 | O-ring |

Repair-Kits

| Pos. | Item-No. | Description | Pos. | Item-No. | Description |
|------|-------------|-------------|------|----------|-------------|
| * | 20 0300 100 | Repair-Kit | | | |