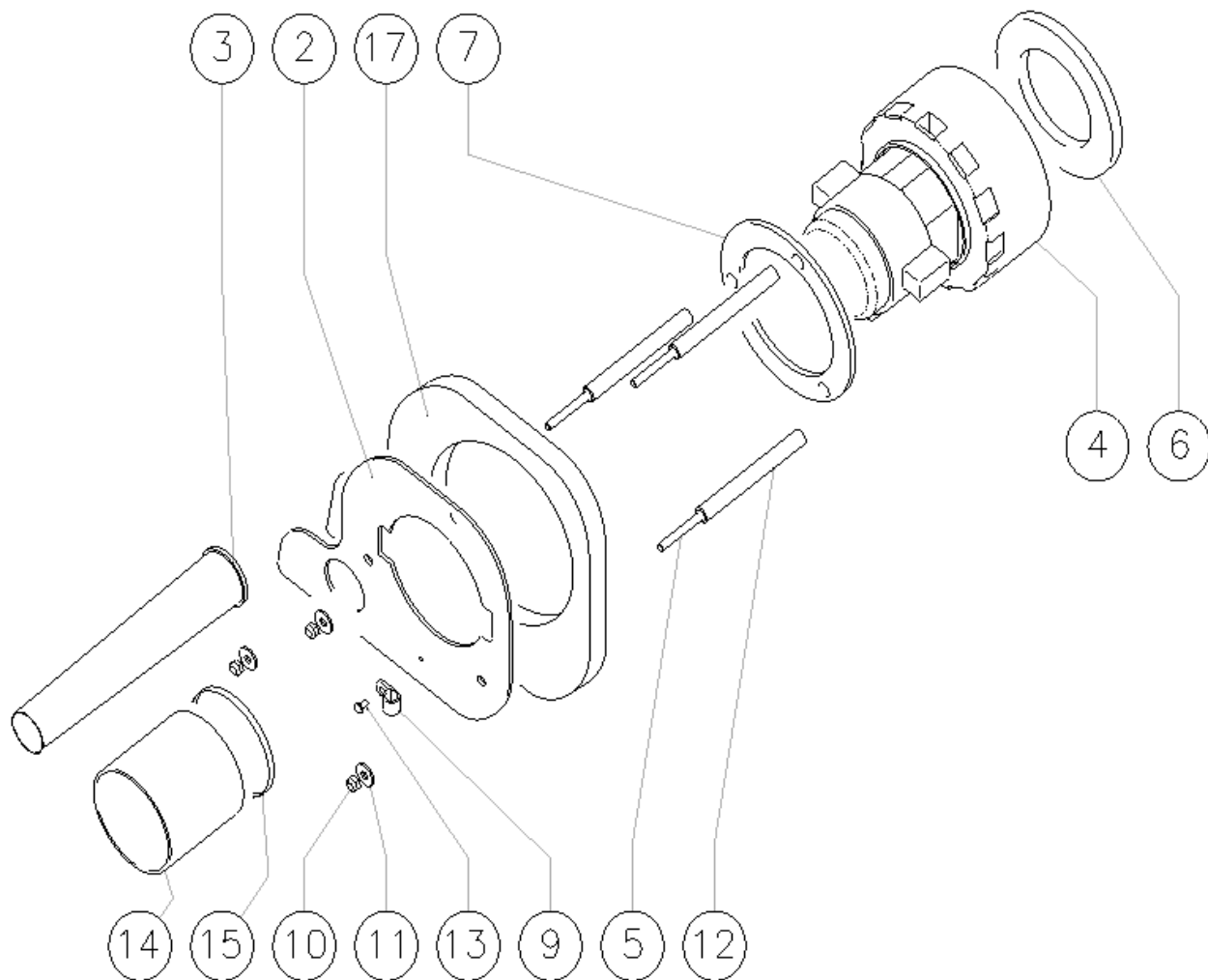


# Spare Parts List

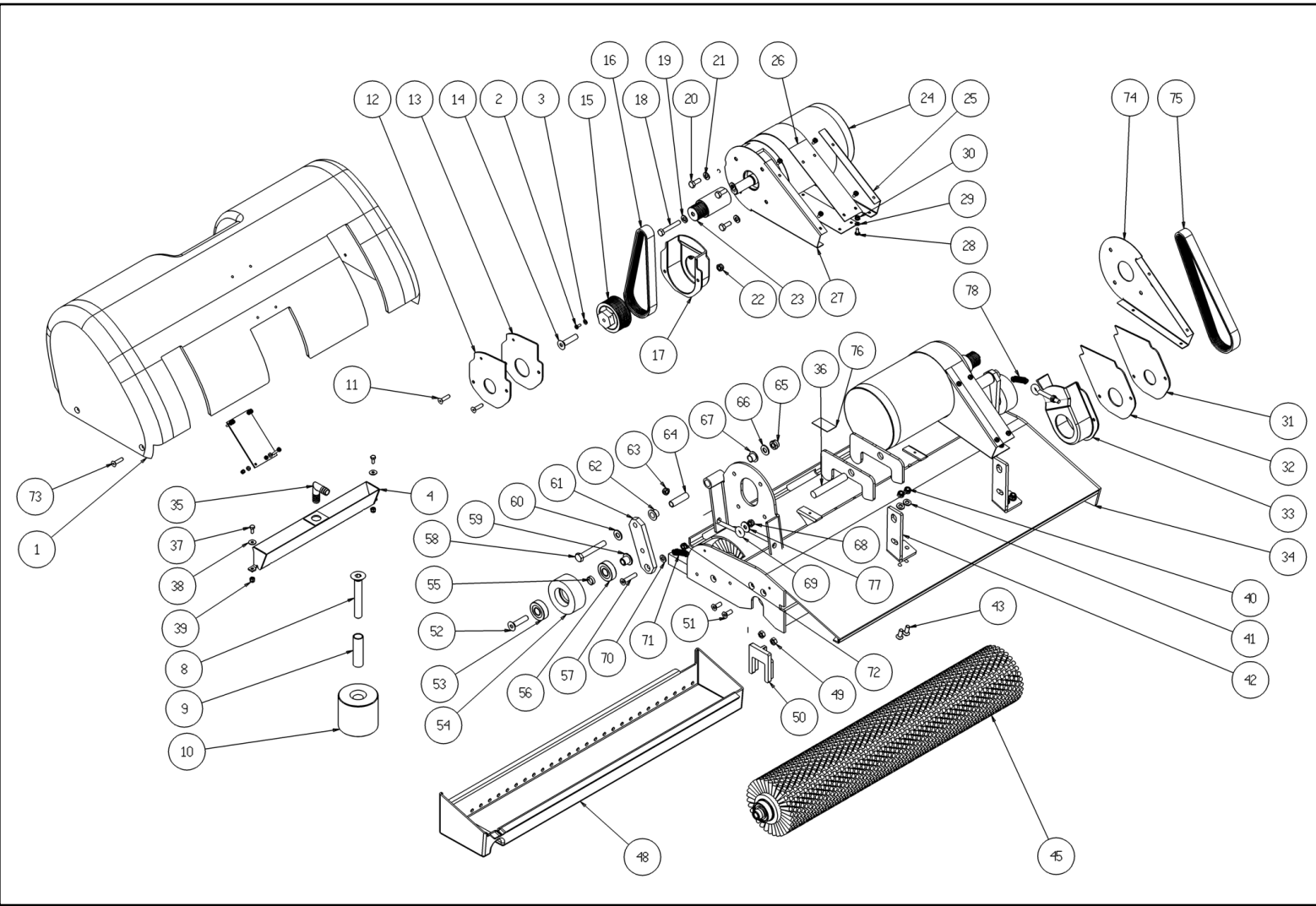


Ref: LPTB01411

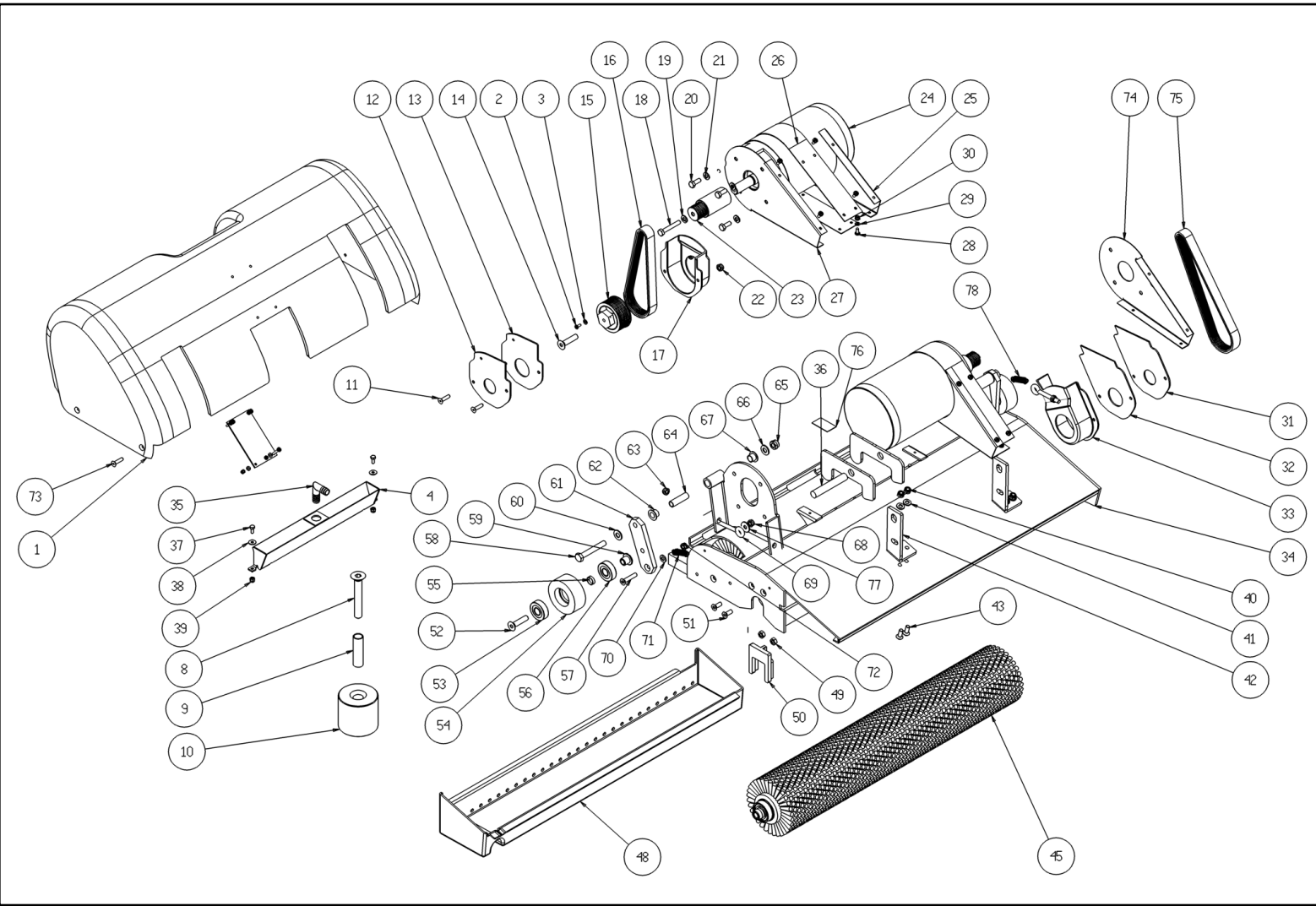
Model: CT40 R GR/VE 2012



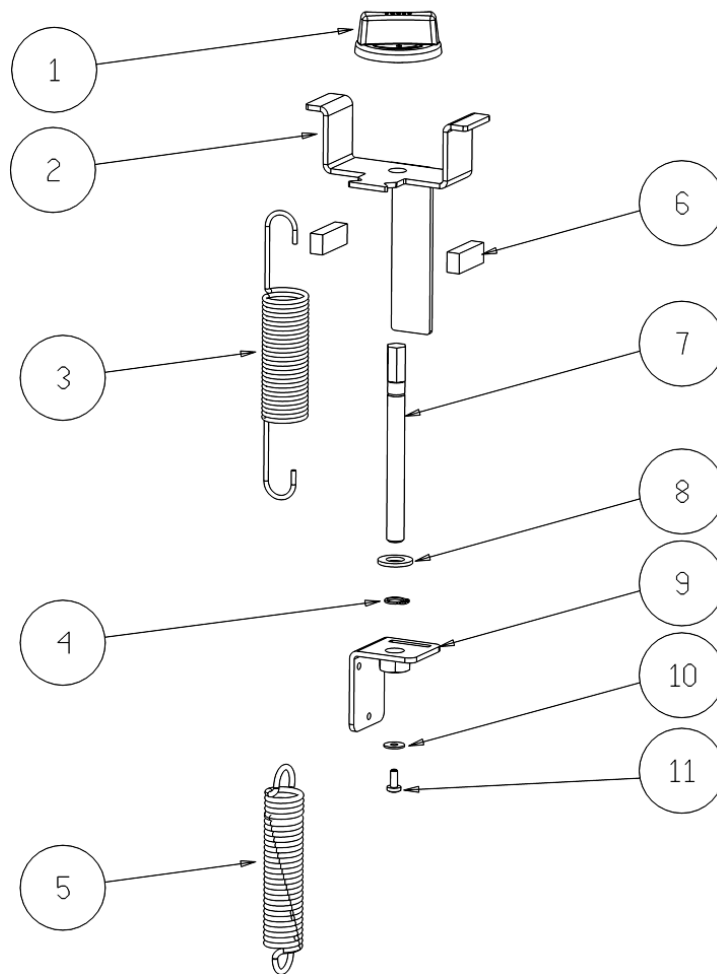
Ref. K	Part N.	Customer Part N.	Description	Qty	Validity:		Price
					From	To	
0002	LAFN06363		FLANGE ASPIRATORE	1,00			--
0003	MPVR05259		TUBE SCARICO	1,00	06/2007		--
0003	TBFX00244		TUBE D 34 L200MM	1,00		06/2007	--
0004	MEVR05200		CARBON MOTORE ASP.AMET.116599-13	2,00			--
0004	MOCC00253		MOTOR ASPIR.BIST.24V	1,00		11/2008	--
0004	MOCC00349		MOTOR VACUUM 2 STAGES 24V	1,00	11/2008		--
0005	VTVR00198		ROD	3,00			--
0006	GUGO00272		GASKET VACUUM MOTOR CT	1,00			--
0007	MPVR04724		FLANGE IN NYLON	1,00			--
0009	FSVR00099		CLAMP FERMATUBO	1,00			--
0010	VTDD01694		NUT M6 INOX	3,00			--
0011	VTRS13945		WASHER D. 6X18 INX UNI 6593	3,00			--
0012	LAFN51078		SPACER SH	3,00			--
0013	VTVT00813		SCREW M 4X 8 TCB-TC UNI 8112	1,00			--
0014	TBFX00268		SUCTION HOSE D80 L=80MM	1,00		04/2007	--
0014	TBFX00312		TUBE ASPIRAZIONE	1,00	05/2007		--
0015	FSVR00118		CLAMP D.94	1,00	05/2007		--
0015	FSVR00500		CLAMP 80-100 INOX	1,00		04/2007	--
0017	MPVR05103		SOUND-PROOFING ASPIRATORE	1,00			--



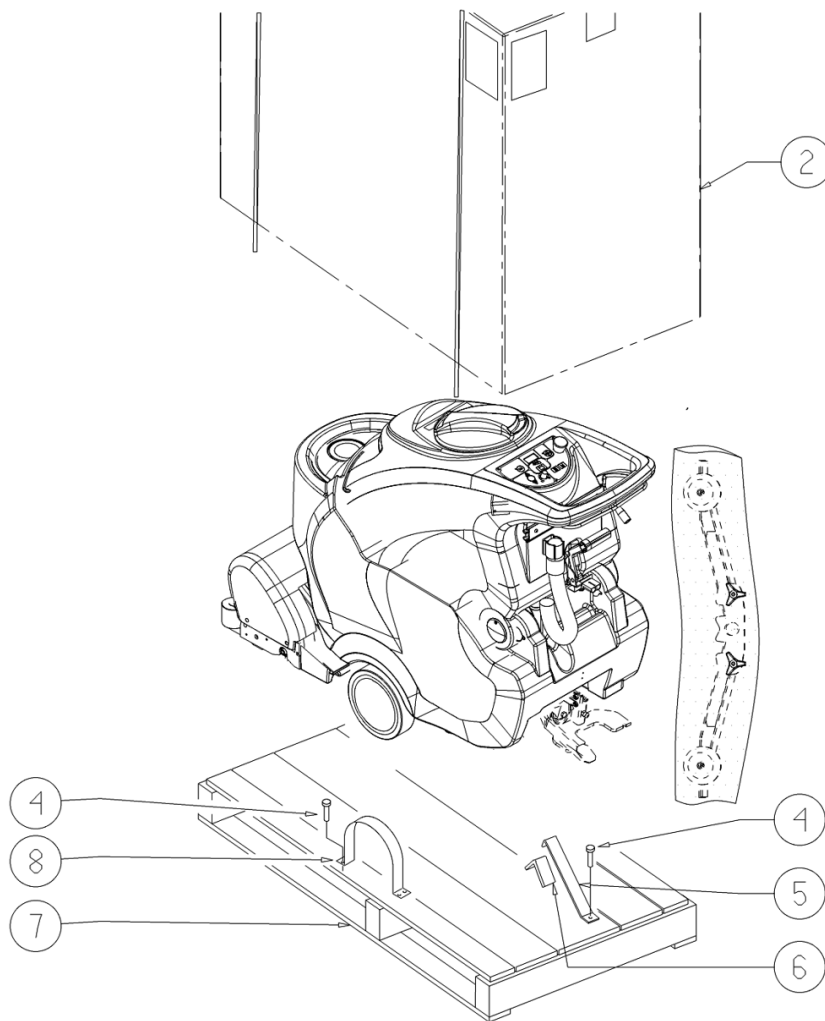
Ref.	K	Part N.	Customer Part N.	Description	Qty	Validity: From	To	Price
0001		MPVR05597		COVER -	1,00			--
0002		VTVT00722		SCREW -	1,00			--
0003		VTRS01579		WASHER D. 3 UNI 6592	1,00			--
0008		VTVT00885		SCREW TSPEI M.12-80	2,00			--
0009		LAFN04111		SPACER -	2,00			--
0010		MPVR05607		ROLLER -	2,00			--
0011		VTVT00704		SCREW TE M 4X 16 UNI5739 INOX	4,00			--
0012		MPVR05602		CLOSURE -	1,00			--
0013		MPVR05756		GASKET -	1,00			--
0014		VTVT00750		SCREW TSPE M. 6-16	2,00			--
0015		MTPL00208		PULLEY -	1,00			--
0016		MTCG00130		BELT POLI	1,00			--
0017		MPVR05601		PROTECTION -	1,00			--
0018		VTVT15145		SCREW TE 6X40 UNI5739 INX	1,00			--
0019		VTRS13945		WASHER D. 6X18 INX UNI 6593	1,00			--
0020		VTVT15143		SCREW TE 6X16 UNI5739	8,00			--
0021		VTRS15144		WASHER D. 6 INX GRW UNI 1751	8,00			--
0022		VTDD15925		NUT M 4 INX	4,00			--
0023		MTPL00205		PULLEY -	2,00			--
0024		MEVR02027		CARBON -	2,00			--
0024		MOC00379		MOTOR -	2,00			--
0025		LAFN07820		CONVEYOR -	2,00			--
0026		LAFN07819		CONVEYOR -	2,00			--
0027		LAFN07817		CONVEYOR -	1,00			--
0028		VTVT00813		SCREW M 4X 8 TCB-TC UNI 8112	16,00			--
0029		VTRS00515		WASHER D. 4 INX	16,00			--
0030		VTDD00055		NUT M 4 ATB A2	16,00			--
0031		MPVR05600		CLOSURE -	1,00			--
0032		MPVR05757		GASKET -	1,00			--
0033		MPVR05599		PROTECTION -	1,00			--
0034		LAFN06764		HEAD 55	1,00			--
0035		RCVR45752		HOSE FITTING "L" 3/8M - D.10 PLS.	1,00			--
0036		LAFN07633		PIN -	1,00			--
0037		VTVT00817		SCREW TE M4x12 UNI 5739 INOX	2,00			--
0038		VTRS00515		WASHER D. 4 INX	2,00			--
0039		VTDD15925		NUT M 4 INX	2,00			--
0040		VTDD01694		NUT M6 INOX	4,00			--
0041		VTRS00245		WASHER D.6 UNI 6592 INOX	4,00			--
0042		LAFN07634		BRACKET -	2,00			--



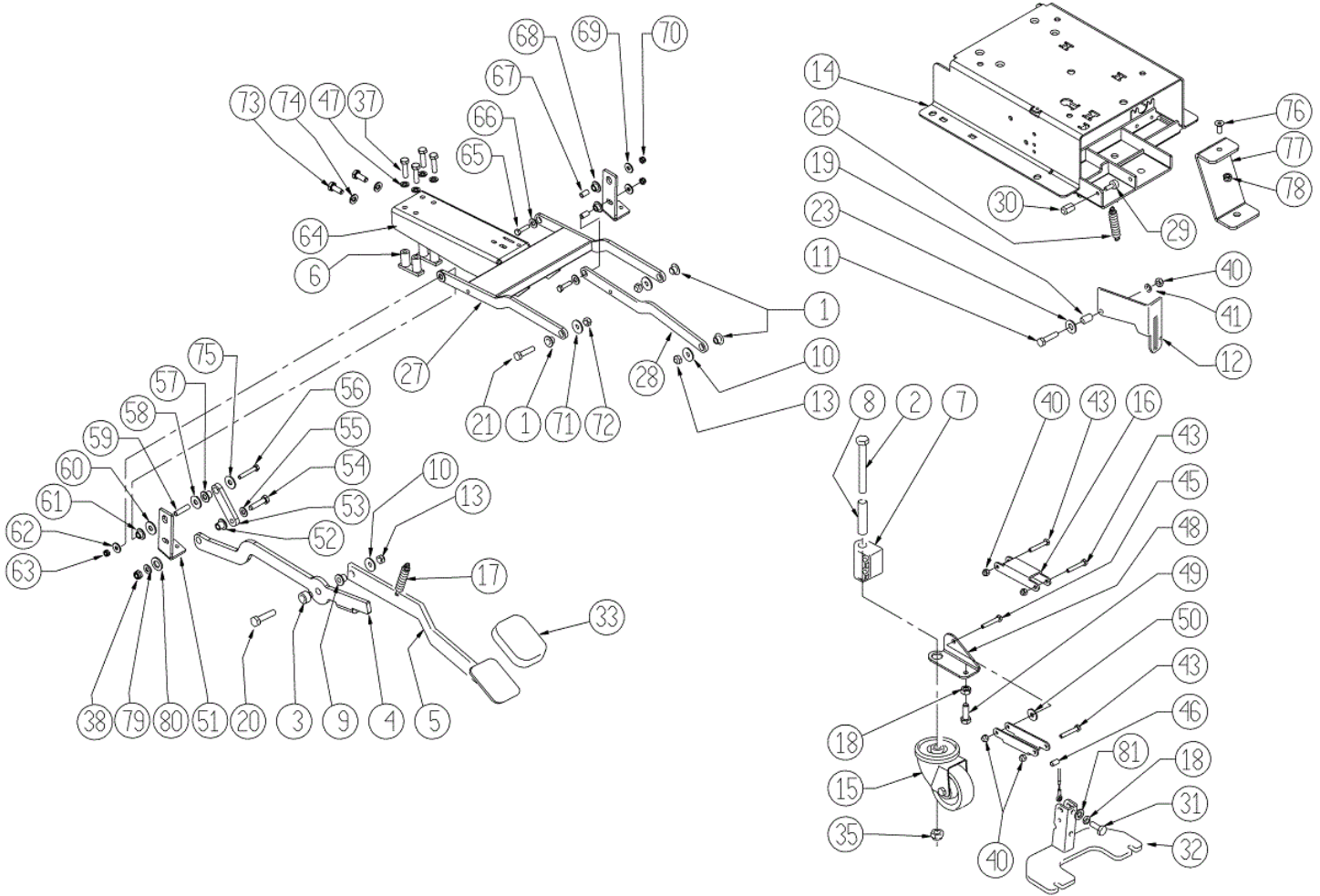
Ref.	K	Part N.	Customer Part N.	Description	Qty	Validity:		Price
						From	To	
0043		VTVT00832		SCREW TSPEI M6X16 INOX	4,00			--
0045		SPPV01163		BRUSH -	2,00			--
0048		MPVR05603		DRAWER -	1,00			--
0049		VTDD15518		NUT M 6 INX	4,00			--
0050		MPVR31929		SUPPORT E 350 N	2,00			--
0051		VTVT00750		SCREW TSPE M. 6-16	4,00			--
0052		VTVT00816		CARRYNG BAG	2,00			--
0053		CUVR00004		BEARING 6201 2RS -MARCA-	2,00			--
0054		MTPL00206		PULLEY -	2,00			--
0055		LAFN07804		SPACER -	2,00			--
0056		CUVR00004		BEARING 6201 2RS -MARCA-	2,00			--
0057		VTVT30246		SCREW TSPEI M 6X 30 UNI 5933	2,00			--
0058		VTVT00728		SCREW TE M. 8-55	2,00			--
0059		LAFN51068		BUSHING LEVA POSTER.	2,00			--
0060		VTRS13947		WASHER D. 8 INX UNI 6592	1,00			--
0061		LAFN07769		BRACKET -	2,00			--
0062		CUVR43254		BUSHING CB 85 1010 18T	2,00			--
0063		VTDD01694		NUT M6 INOX	2,00			--
0064		LAFN07799		SPACER 10-8 L 39,9	2,00			--
0065		VTDD01695		NUT M 8 INX	2,00			--
0066		VTRS13947		WASHER D. 8 INX UNI 6592	2,00			--
0067		CUVR43254		BUSHING CB 85 1010 18T	2,00			--
0068		VTDD01694		NUT M6 INOX	2,00			--
0069		LAFN05186		TIE ROD	2,00			--
0070		VTDD15518		NUT M 6 INX	2,00			--
0071		MLML75961		SPRING D. 16 L.80	1,00			--
0072		VTDD01694		NUT M6 INOX	2,00			--
0073		VTVT00855		SCREW TSP+ M4X15	4,00			--
0074		LAFN07815		CONVEYOR -	1,00			--
0075		MTCG00129		BELT POLI	1,00			--
0076		GUVR01008		GASKET -	2,00			--
0077		VTRS13945		WASHER D. 6X18 INX UNI 6593	2,00			--
0078		MLML00065		SPRING L0=80 De=12 Df=1.7	1,00			--



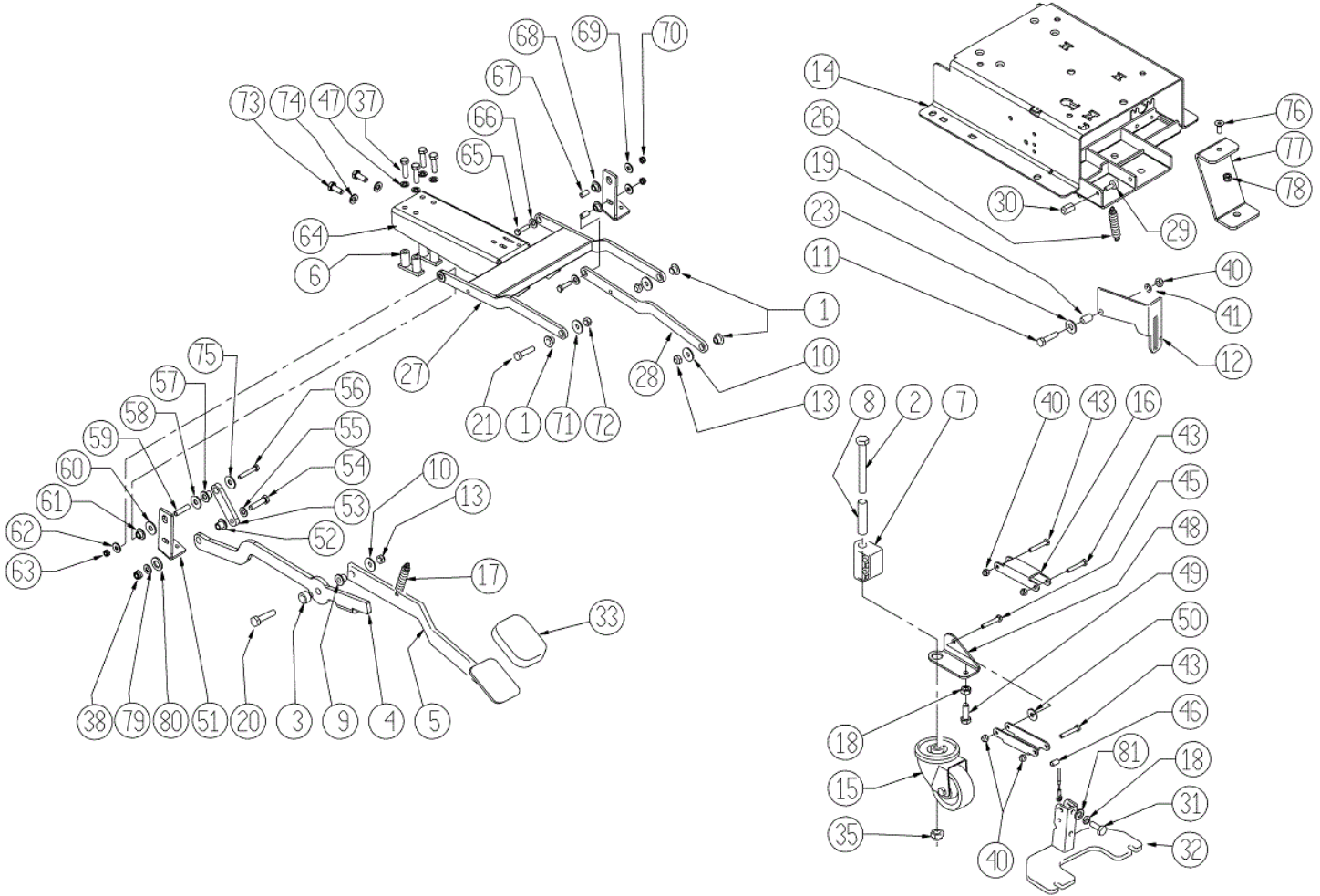
Ref. K	Part N.	Customer Part N.	Description	Qty	Validity:		Price
					From	To	
0001	MPVR75768		KNOB	1,00			--
0002	LAFN07458		SUPPORT	1,00			--
0003	MLML00234		SPRING TESTATA LINEA 3	1,00			--
0004	VTAE13511		CIRCLIP D. 10 UNI 7435	1,00			--
0005	MLML00225		SPRING	1,00			--
0006	GUGO00315		MOUSSE CT25	2,00			--
0007	LAFN07457		SUPPORT	1,00			--
0008	VTRS15523		WASHER D.10 X21 INOX UNI 6592	1,00			--
0009	LAFN07459		SUPPORT	1,00			--
0010	VTRS00251		WASHER 4-16 INOX A2	1,00			--
0011	VTVT21887		SCREW TCB-TC 4X10 8112	1,00			--



Ref. K	Part N.	Customer Part N.	Description	Qty	Validity:		Price
					From	To	
0002	MICT00147		CARTON IMBALLO RULLI	1,00			--
0004	VTVT00043		SCREW AUTOF.LEGNO 4,5X25 TS BR	9,00			--
0005	MIVR00137		CLAMP RUOTA POSTERIORE X IMBAL.	1,00			--
0006	GUGO00009		MOUSSE	0,05			--
0007	MIBA00077		PALLET RULLI	1,00			--
0008	MIVR00135		CLAMP RUOTA POSTERIORE X IMBAL.	2,00			--

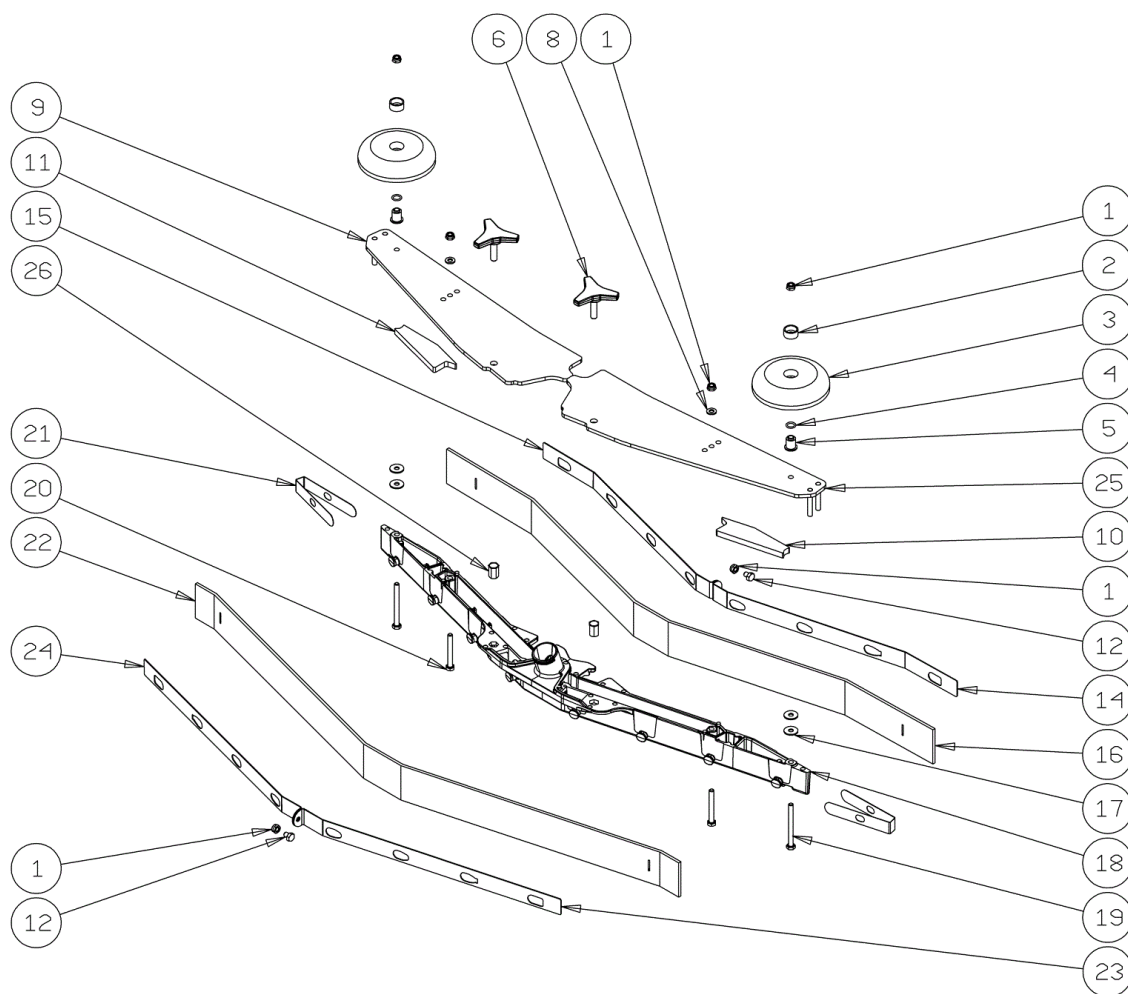


Ref.	K	Part N.	Customer Part N.	Description	Qty	Validity:		Price
						From	To	
0001		LAFN06391		BUSHING PARALLELOGRAMMA	6,00			--
0002		VTVT24212		SCREW TE M 12X100 UNI 5737 INOX	1,00			--
0003		LAFN04190		BUSHING PARALLELOGR.TEST.GR.	1,00			--
0004		LAFN07593		BRACKET LIFTING BRUSH HEAD	1,00			--
0005		LAFN07602		LEVER -	1,00		06/2013	--
0005		LAFN09270		PEDALE -	1,00	07/2013		--
0006		LAFN07603		BRACKET -	2,00			--
0007		MPVR04734		BLOCK TERGI	1,00			--
0008		LAFN09006		PIN -	1,00			--
0009		LAFN51068		BUSHING LEVA POSTER.	1,00			--
0010		VTRS13946		WASHER D. 8 X24 INX UNI 6593	2,00			--
0011		VTVT00161		SCREW TE M6X20	1,00			--
0012		LAFN10124		PLATE -	1,00			--
0013		VTDD01695		NUT M 8 INX	3,00			--
0014		LAFN07606		BASE -	1,00			--
0015		RTRT00395		WHEEL CASTOR D.80X25 PU	1,00	08/2012		--
0015		RTRT00518		WHEEL CASTOR D.80X30	1,00		08/2012	--
0016		LAFN05853		LEVER ARM SOLLEVAMENTO TERGI	2,00			--
0017		MLML34726		SPRING TR E350 N	1,00			--
0018		VTDD15521		NUT M 8 INX A2 UNI 5588	2,00			--
0019		LAFN03840		BUSHING	1,00			--
0020		VTVT15917		SCREW TE M 8X50 INOX A2 UNI	1,00			--
0021		VTVT15907		SCREW TE 8X25 UNI5739 INX	3,00			--
0023		VTRS00274		WASHER NYLON 66 D.8,4-17-2 UNI	1,00			--
0026		MLML00303		SPRING REGISTRAZIONE FLAP	1,00			--
0027		LAFN07563		ARM -	1,00			--
0028		LAFN06389		ARM PARALLELOGRAMMA	1,00			--
0029		MPVR75799		FOOT 20x9 M 6x18	1,00			--
0030		VTVR00215		CARRYNG BAG	1,00			--
0031		VTVT00410		SCREW TE M8x35 UNI5739 INOX	1,00			--
0032		LAFN07560		PLATE -	1,00			--
0033		MPVR05186		COVER -	1,00			--
0035		VTDD00176		NUT M.12 INOX A2 BASSO AUTOB.	1,00			--
0037		VTVT15907		SCREW TE 8X25 UNI5739 INX	4,00			--
0038		VTDD01695		NUT M 8 INX	1,00			--
0040		VTDD01694		NUT M6 INOX	5,00			--
0041		VTRS00245		WASHER D.6 UNI 6592 INOX	1,00			--
0043		VTVT01683		SCREW TE 6X40	4,00			--
0045		VTVT01684		SCREW TE 6X45	1,00			--

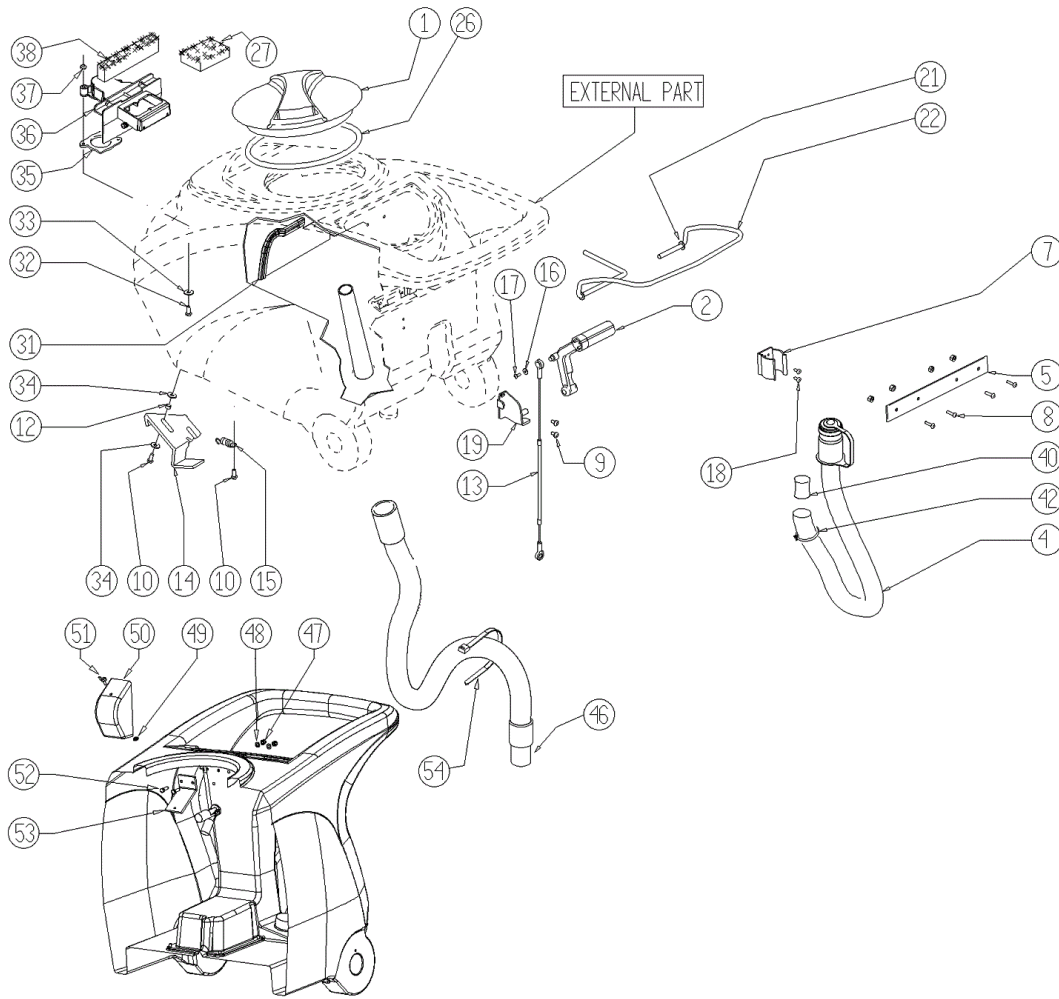


Ref.	K	Part N.	Customer Part N.	Description	Qty	Validity:		Price
						From	To	
0046		LAFN06898		SPACER 6-8 h15	1,00			--
0047		VTRS15146		WASHER D. 8 INX GRW UNI 1751	4,00			--
0048		LAFN08999		BRACKET -	1,00			--
0049		VTVT13938		SCREW TE 8X20 UNI5739 INX	1,00			--
0050		VTRS13945		WASHER D. 6X18 INX UNI 6593	1,00			--
0051		LAFN07634		BRACKET -	2,00			--
0052		LAFN51068		BUSHING LEVA POSTER.	1,00			--
0053		LAFN07638		LEVER -	1,00			--
0054		VTVT00410		SCREW TE M8x35 UNI5739 INOX	1,00			--
0055		VTRS13947		WASHER D. 8 INX UNI 6592	1,00			--
0056		VTVT15145		SCREW TE 6X40 UNI5739 INX	1,00			--
0057		LAFN51068		BUSHING LEVA POSTER.	1,00			--
0058		VTRS13946		WASHER D. 8 X24 INX UNI 6593	1,00			--
0059		LAFN06735		SPACER 6-8 H31.5	1,00			--
0060		VTRS13946		WASHER D. 8 X24 INX UNI 6593	1,00			--
0061		LAFN06391		BUSHING PARALLELOGRAMMA	1,00			--
0062		VTRS13945		WASHER D. 6X18 INX UNI 6593	1,00			--
0063		VTDD01694		NUT M6 INOX	1,00			--
0064		LAFN07635		BRACKET -	1,00			--
0065		VTVT15141		SCREW TE M 6X 25 UNI 5739 INX	2,00			--
0066		VTRS13945		WASHER D. 6X18 INX UNI 6593	2,00			--
0067		LAFN06898		SPACER 6-8 h15	2,00			--
0068		LAFN06391		BUSHING PARALLELOGRAMMA	2,00			--
0069		VTRS13945		WASHER D. 6X18 INX UNI 6593	2,00			--
0070		VTDD01694		NUT M6 INOX	2,00			--
0071		VTRS13946		WASHER D. 8 X24 INX UNI 6593	1,00			--
0072		VTDD01695		NUT M 8 INX	1,00			--
0073		VTVT15143		SCREW TE 6X16 UNI5739	2,00			--
0074		VTRS15144		WASHER D. 6 INX GRW UNI 1751	2,00			--
0075		VTRS13945		WASHER D. 6X18 INX UNI 6593	1,00			--
0076		VTVT00224		SCREW	1,00			--
0077		LAFN06860		BRACKET CT70	1,00			--
0078		VTDD01695		NUT M 8 INX	1,00			--
0079		VTRS13947		WASHER D. 8 INX UNI 6592	1,00			--
0080		VTRS15978		WASHER D.12X24 UNI 6592 INX	1,00			--
0081		VTRS15146		WASHER D. 8 INX GRW UNI 1751	1,00	03/2013		--

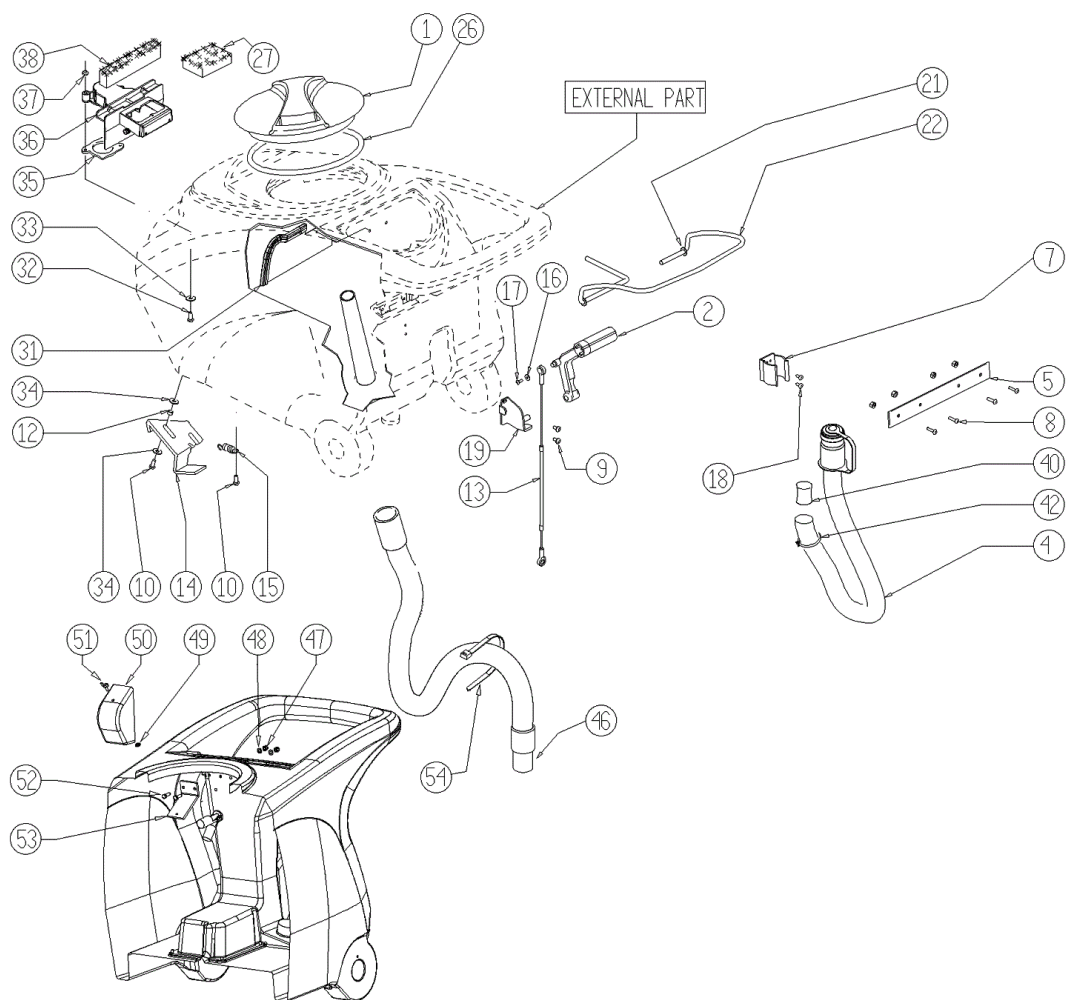




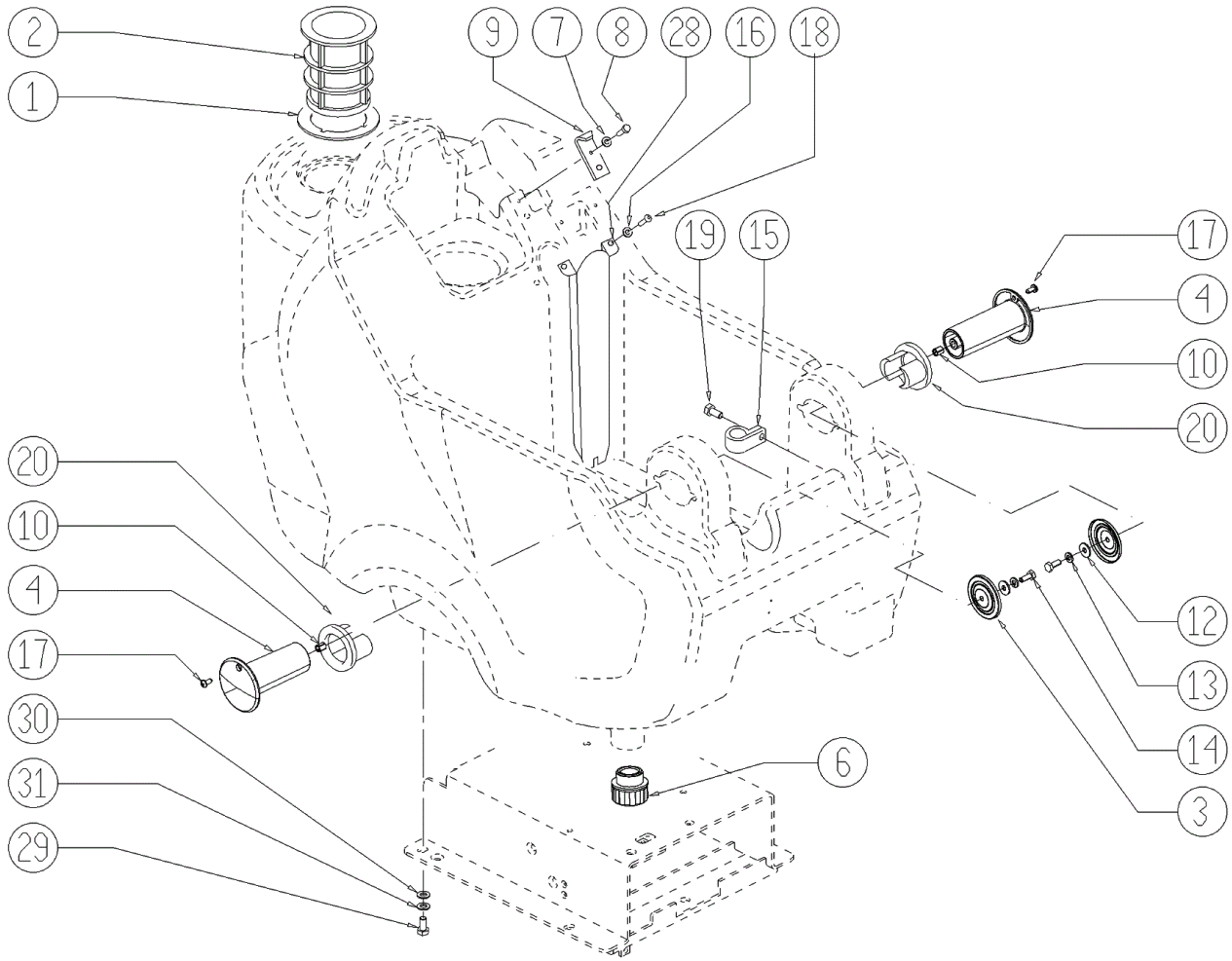
Ref. K	Part N.	Customer Part N.	Description	Qty	Validity:		Price
					From	To	
0001	VTDD01694		NUT M6 INOX	6,00			--
0002	MPVR49229		BUSHING SHK	2,00			--
0003	MPVR05290		ROLLER PARACOLPI	2,00			--
0004	GUGO00164		GASKET	2,00			--
0005	LAFN04100		SPACER PER RUOTINO PARACOLPI	2,00			--
0006	MPVR06003		KNOB AISI 304	2,00		03/2013	--
0006	MPVR06004		KNOB AISI 304	2,00	03/2013		--
0008	VTRS00245		WASHER D.6 UNI 6592 INOX	2,00			--
0009	LAFN09012		PLATE -	1,00			--
0010	GUVR00301		GASKET -	1,00			--
0011	GUVR00300		GASKET -	1,00			--
0012	VTVT01161		SCREW M6x8	2,00			--
0014	LAFN08948		BRACKET -	1,00			--
0015	LAFN08949		BRACKET -	1,00			--
0016	MPVR05800		RUBBER BLADE FRONT SQUEEGEE S PU	1,00			--
0017	VTRS13945		WASHER D. 6X18 INX UNI 6593	4,00			--
0018	KTRI02048		BODY SQUEEGEE PRESSOFUSO "S"	1,00			--
0019	VTVT00841		SCREW TE M 6X65 UNI 5739 INX	2,00			--
0020	VTVT15515		SCREW TE M 6X 50 INOX A2	2,00			--
0021	MPVR05897		CLOSURE S	2,00			--
0022	MPVR05802		RUBBER REAR SQUEEGEE S PU	1,00			--
0023	LAFN08950		BRACKET -	1,00			--
0024	LAFN08951		BRACKET -	1,00			--
0025	LAFN09013		PLATE -	1,00			--
0026	VTVR00565		INSERT -	2,00			--



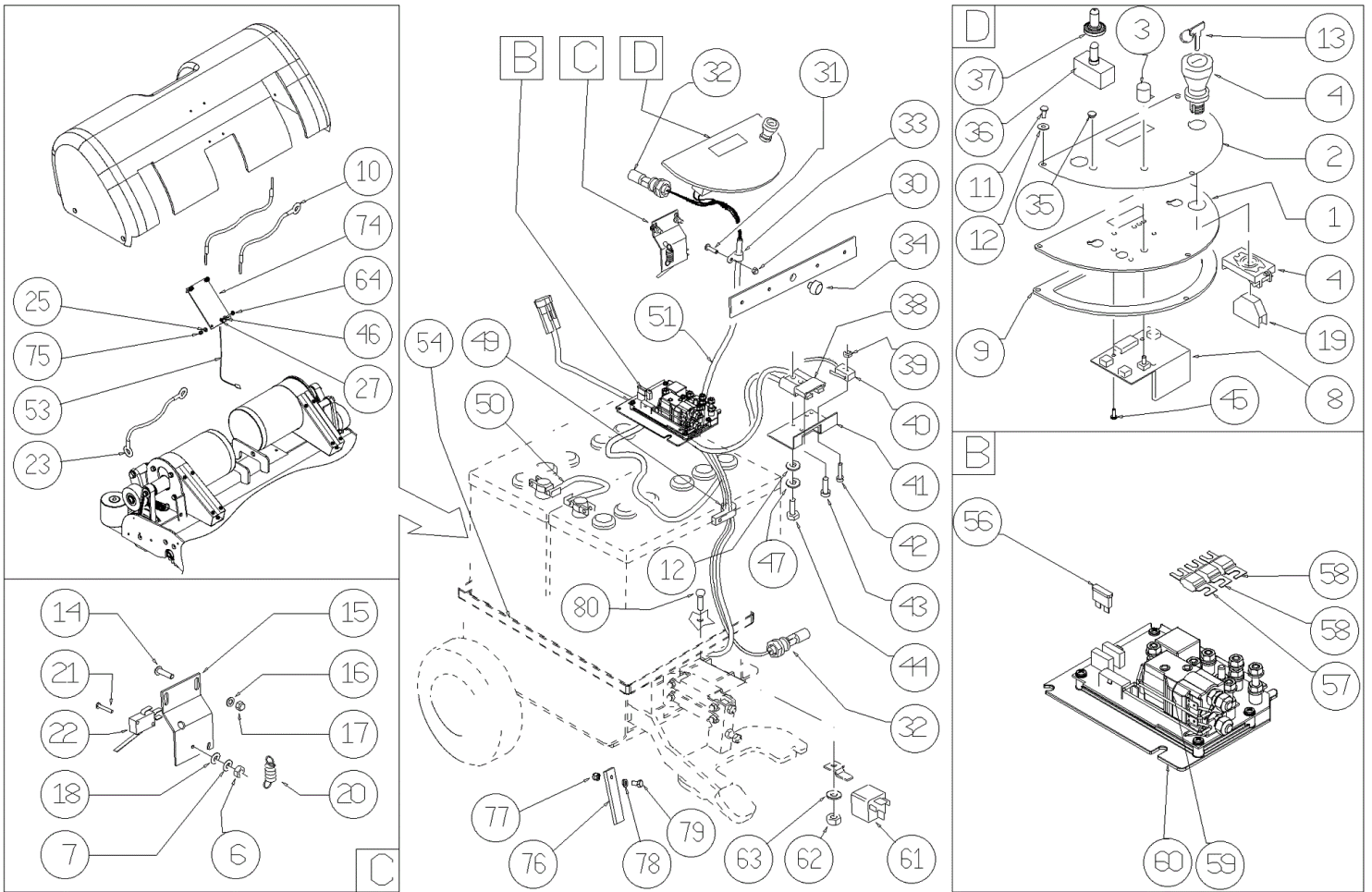
Ref. K	Part N.	Customer Part N.	Description	Qty	Validity:		Price
					From	To	
0001	MPVR04051		TANK CAP	1,00			--
0002	MPVR49942		LEVER SHK PP	1,00			--
0003	VTDD01694		NUT M6 INOX	4,00			--
0004	TBFX00348		TUBE CT40-70-90 HOSE DRAIN	1,00		04/2013	--
0004	TBFX00358		TUBE PU CT40/70/90	1,00	04/2013		--
0005	LAFN05865		PLATE COPRILEVA CONSENSO	1,00			--
0007	MPVR46988		CLIP LAV. SHK	1,00			--
0008	VTVT07725		SCREW TE 5X16 UNI5739 INX	4,00			--
0009	VTVT15906		SCREW TE 6X 12 A2 UNI 5739	2,00			--
0010	VTVT15143		SCREW TE 6X16 UNI5739	3,00			--
0012	LAFN03626		SPACER	1,00			--
0013	CMCV00361		CABLE -	1,00			--
0014	LAFN06490		HANDLE	1,00			--
0015	MLML00203		SPRING	1,00			--
0016	VTRS00251		WASHER 4-16 INOX A2	1,00			--
0017	VTVT00800		SCREW TC 4X12 ZN	1,00			--
0018	VTVT21096		SCREW TE M 4X 10 INX	2,00			--
0019	LAFN05870		BRACKET LEVA SOLLEVAM. SQUEEGEE	1,00			--
0021	VTRS13947		WASHER D. 8 INX UNI 6592	2,00			--
0022	LAFN05861		LEVER CONSENSO SPAZZOLE	1,00			--
0026	GUGO00263		GASKET CIRCOLARE TAPPO	1,00			--
0027	FTDP00133		FILTER	1,00			--
0031	MPVR07074		PLATE -	1,00			--
0032	VTVT00814		SCREW TE M.4-25	2,00			--
0033	VTRS00515		WASHER D. 4 INX	2,00			--
0034	VTRS00274		WASHER NYLON 66 D.8,4-17-2 UNI	4,00			--
0035	GUGO00417		GASKET SCATOLA ASPIRAZIONE	1,00			--
0036	MPVR05482		BOX -	1,00			--
0037	VTDD15925		NUT M 4 INX	2,00			--
0038	GUGO00418		GASKET CONDOTTO ASPIRAZIONE	1,00			--
0040	GUGO00245		GASKET	2,00			--
0042	FSVR43136		CLAMP D. 35-40 DF.	1,00			--
0046	TBFX00353		TUBE PU CT70-CT90	1,00			--
0047	VTDD01693		NUT M 5 INX	2,00			--
0048	VTRS00516		WASHER D. 5 INX	4,00			--
0049	VTVR01038		WASHER -	1,00			--
0050	MPVR05596		PROTECTION -	1,00			--
0051	VTVT01150		SCREW 4x10	1,00			--
0052	VTVT07726		SCREW TE 5X20	2,00			--



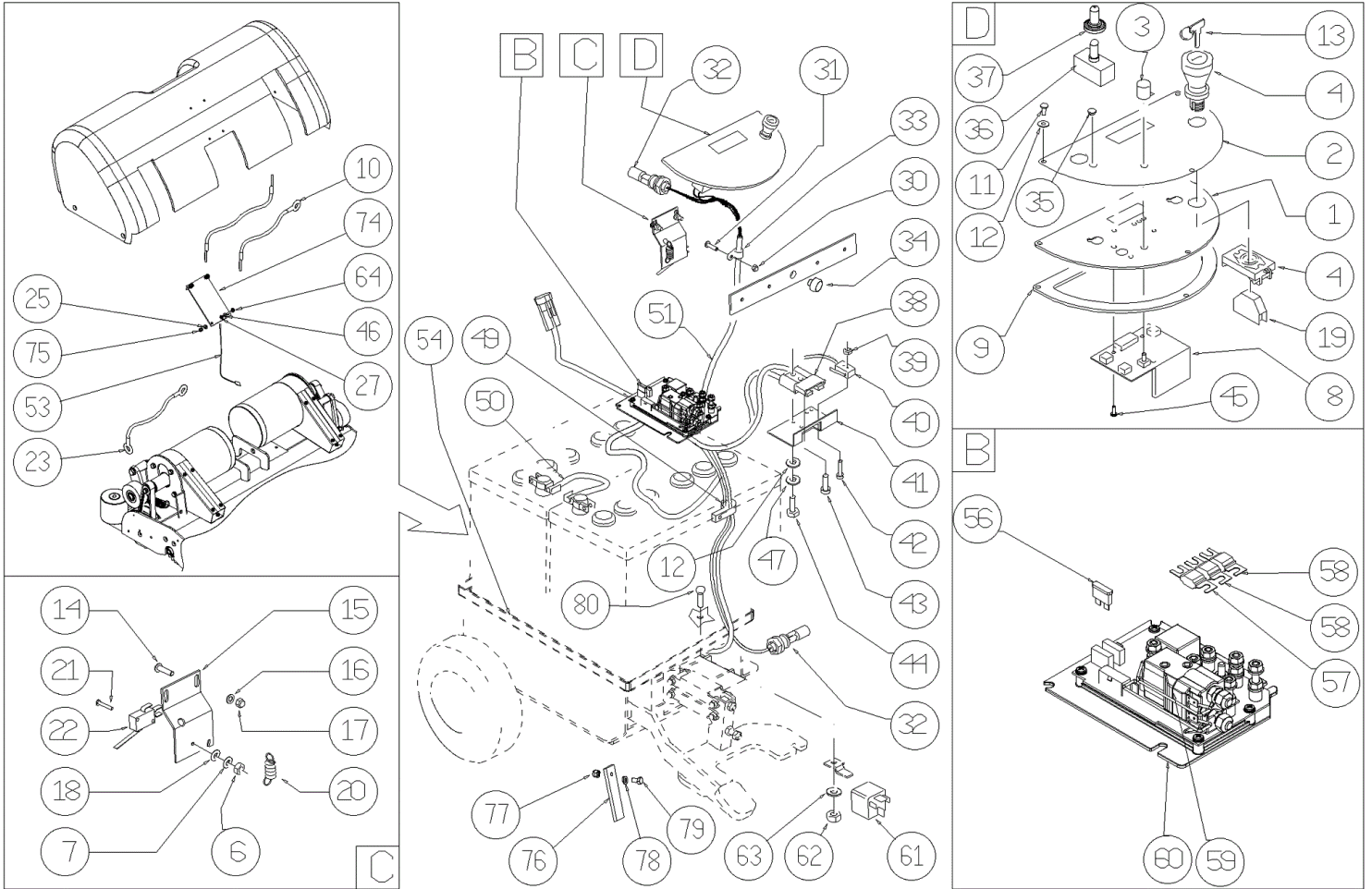
Ref.	K	Part N.	Customer Part N.	Description	Qty	Validity:		Price
						From	To	
0053		LAFN07631		BRACKET -	1,00			--
0054		FSVR00248		CLAMP -	1,00			--



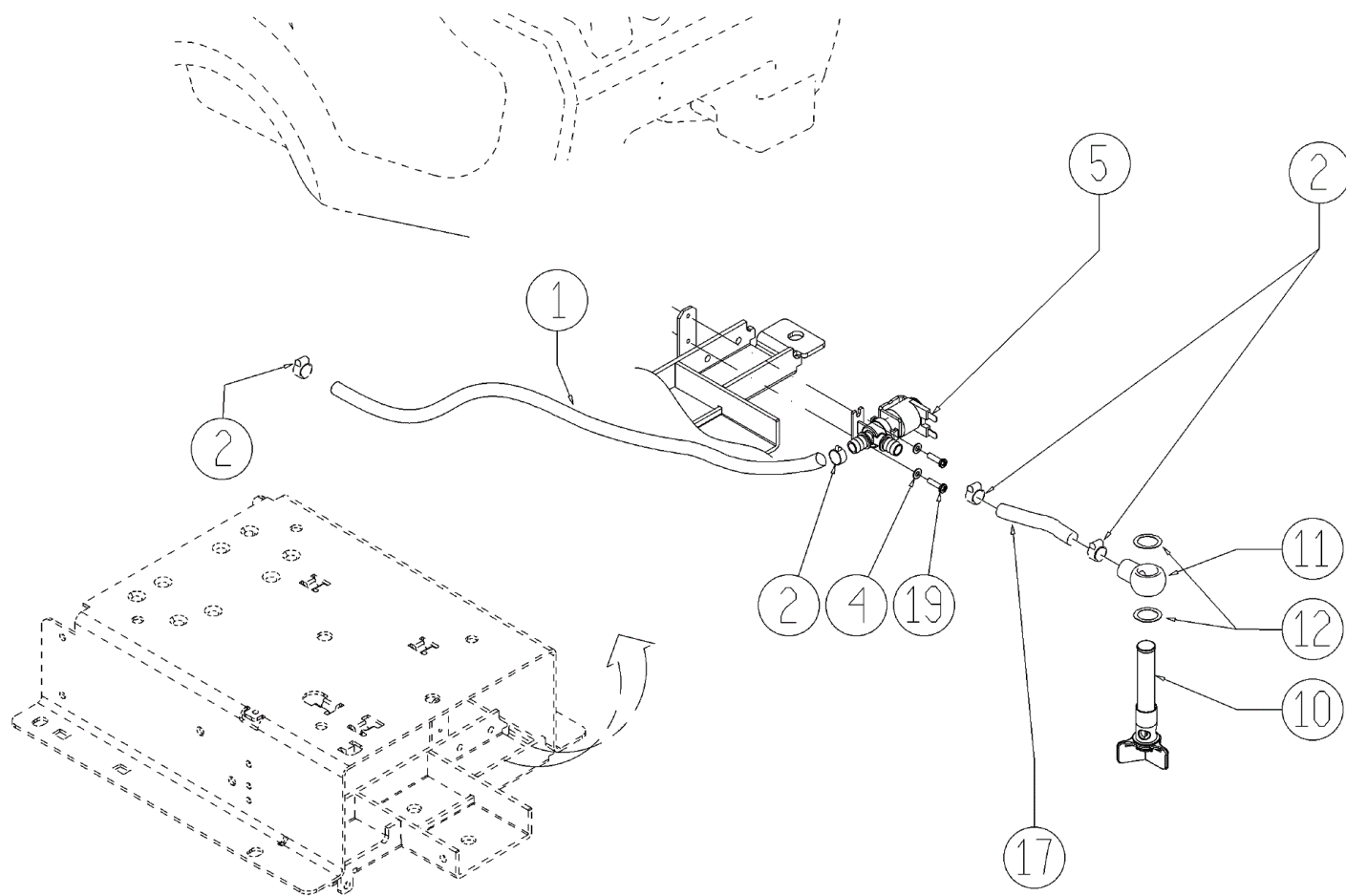
Ref.	K	Part N.	Customer Part N.	Description	Qty	Validity:		Price
						From	To	
0001		GUGO00267		GASKET FILTRO	1,00			--
0002		FTAC48857		FILTER ASP. ACQUA SERB. LAVAP.	1,00			--
0003		LAFN07800		SHEET METAL PA.-	2,00			--
0004		MPVR48695		PIN SHK.BK	2,00			--
0006		MPVR08003		CAP	1,00			--
0007		VTRS15144		WASHER D. 6 INX GRW UNI 1751	1,00			--
0008		VTVT01303		SCREW TE M6-10 INOX	1,00			--
0009		LAFN06489		PLATE	1,00			--
0010		VTVR48693		INSERT M6 D.9	1,00			--
0012		VTRS13945		WASHER D. 6X18 INX UNI 6593	2,00			--
0013		VTRS15144		WASHER D. 6 INX GRW UNI 1751	2,00			--
0014		VTVT15143		SCREW TE 6X16 UNI5739	2,00			--
0015		FSVR00099		CLAMP FERMATUBO	2,00			--
0016		VTRS00515		WASHER D. 4 INX	2,00			--
0017		VTVT48694		SCREW TCB TC 5 X12 UNI 9707 TZ	2,00			--
0018		VTVT37012		SCREW M 4X 10 TCB-TC INX	2,00			--
0019		VTVT15961		SCREW M 5X 16 TCB TC UNI 7687	1,00			--
0020		PMVR02028		RUBBER GRUPPO MONTAGGIO	2,00			--
0028		MPVR51085		FLAP POSTER.TERGI 950 MAGG.	1,00			--
0029		VTVT15916		SCREW TE M 8X 16 UNI 5739 A2	4,00			--
0030		VTRS13947		WASHER D. 8 INX UNI 6592	4,00			--
0031		VTRS00269		WASHER D. 8 DIN 6798-A INX A2	4,00			--



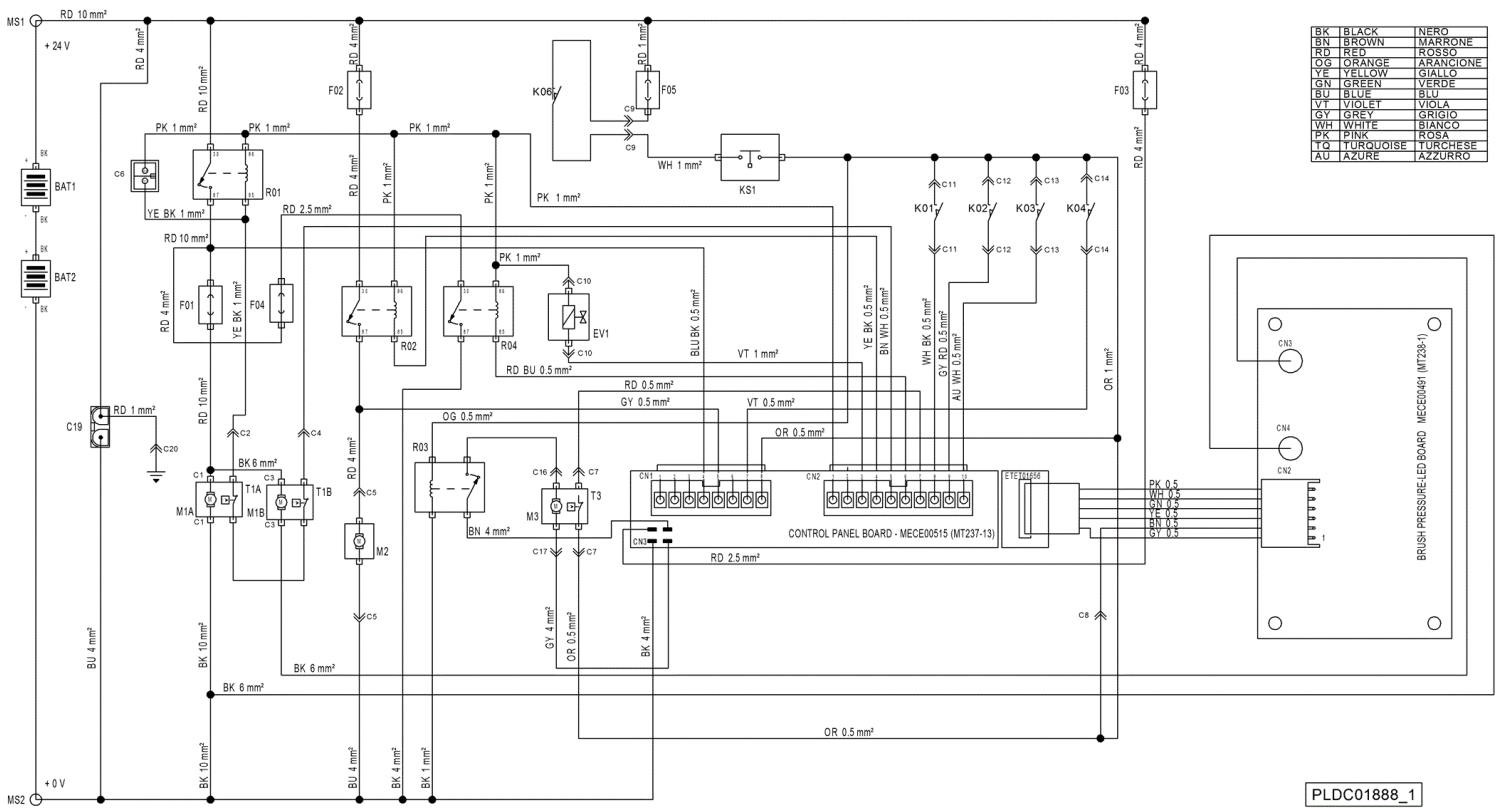
Ref.	K	Part N.	Customer Part N.	Description	Qty	Validity:		Price
						From	To	
0001		LAFN08989		SUPPORT -	1,00			--
0002		ETET01710		LABEL -	1,00			--
0003		MEVR01666		KNOB POTENTIOMETER	1,00			--
0004		MECI00402		BUTTON A FUNGO	1,00			--
0006		VTDD21115		NUT M 3 INOX	1,00			--
0007		VTRS00268		WASHER D.3	5,00			--
0008		MECB01329		BOARD BT CT70 H2O - NEW	1,00	06/2013		--
0008		MECE00474		BOARD CT70 EV	1,00		06/2013	--
0009		GUGO38417		GASKET PANN.COM.EXTREME	1,00			--
0011		VTVT37012		SCREW M 4X 10 TCB-TC INX	3,00			--
0012		VTRS00515		WASHER D. 4 INX	9,00			--
0013		CHVR00051		DIASSASS.SPANNERPULSANTE FUNGO	1,00			--
0014		VTVT07725		SCREW TE 5X16 UNI5739 INX	2,00			--
0015		LAFN05904		PLATE MICRO LEVA	1,00			--
0016		VTRS00516		WASHER D. 5 INX	2,00			--
0017		VTDD01693		NUT M 5 INX	4,00			--
0018		VTRS21116		WASHER D. 3 INX	2,00			--
0019		MECI00403		CONTACT -	1,00			--
0020		MLML34726		SPRING TR E350 N	1,00			--
0021		VTVT01316		SCREW TC+ M3-16	2,00			--
0022		MECI36393		MICROSWITCH TRZ. DRW	1,00			--
0025		VTRS21116		WASHER D. 3 INX	4,00			--
0027		VTDD21115		NUT M 3 INOX	4,00			--
0030		VTDD15925		NUT M 4 INX	1,00			--
0031		VTVT00704		SCREW TE M 4X 16 UNI5739 INOX	1,00			--
0032		MECI00516		SENSOR DI LIVELLO ORIZZONTALE	2,00			--
0033		FSVR00099		CLAMP FERMATUBO	1,00			--
0034		MPVR00043		CAP CHIUS.FORO PORTAFUS.L 15	1,00			--
0035		RCVR00164		CARRYNG BAG	1,00			--
0036		MECI30499		SWITCH 10A - 250VAC	1,00			--
0037		MEVR01975		RUBBER DEVIATORE	1,00			--
0038		MEVR01707		CONNECTOR -	1,00			--
0039		VTDD08634		NUT M2	2,00			--
0040		MECI00334		MICROSWITCH V4	1,00			--
0041		LAFN06409		SUPPORT -	1,00			--
0042		VTVT00671		SCREW TC- M.2-16 OTTONE	2,00			--
0043		VTVT00872		SCREW TSP+ 2.9X13 AUTOFIL. INOX	1,00			--
0044		VTVT00814		SCREW TE M.4-25	2,00			--
0045		VTVT00722		SCREW	3,00			--



Ref.	K	Part N.	Customer Part N.	Description	Qty	Validity:		Price
						From	To	
0046		VTRS21116		WASHER D. 3 INX	4,00			--
0047		VTRS15913		WASHER D. 4 GROVER A2 UNI1751	2,00			--
0049		FSVR00099		CLAMP FERMATUBO	1,00			--
0050		MEVR34820		WIRING B 450 BT	1,00			--
0051		MECB01302		WIRING CT40-70 BT	1,00		06/2013	--
0051		MECB01334		WIRING CT40-55-70 BT	1,00	06/2013		--
0053		MECB01127		CABLE -	1,00			--
0056		MEVR01428		FUSE A LAMA 2 A. UNIVAL	1,00			--
0057		MEVR02061		FUSE 80A	1,00			--
0058		MEVR02060		FUSE 40A	2,00			--
0059		METT00085		CONTACTOR 100A	1,00			--
0060		MECE00574		BOARD CT40-70-90	1,00			--
0061		MECI00005		RELAY 24V 10/20A	1,00			--
0062		VTDD01694		NUT M6 INOX	1,00			--
0063		VTRS00245		WASHER D.6 UNI 6592 INOX	1,00			--
0064		VTVT00654		SCREW TC+ M.3-20	4,00			--
0074		MECE00491		BOARD 40ECS CURRENT READER LED	1,00			--
0076		MPVR04693		RUBBER FUGGISCOSSA	1,00			--
0077		VTDD01694		NUT M6 INOX	1,00			--
0078		VTRS00245		WASHER D.6 UNI 6592 INOX	1,00			--
0079		VTVT15143		SCREW TE 6X16 UNI5739	1,00			--
0080		VTVT01676		SCREW TSTC UNI 7688 M6X16	1,00			--



Ref.	K	Part N.	Customer Part N.	Description	Qty	Validity:		Price
						From	To	
0001		TBFX48011		TUBE FLEX D.12X3 ARMORV.PVC TR	1,05			--
0002		FSVR00428		CLAMP D. 12-20	4,00			--
0004		VTRS00515		WASHER D. 4 INX	2,00			--
0005		MEEV00036		SOLENOID VALVE HOLE 8mm CLEANTIME	1,00			--
0010		MPVR05221		FILTER COMPLETO	1,00		02/2013	--
0010		MPVR06303		FILTER CT40-70-90	1,00	02/2013		--
0011		LAFN07783		CONNECTOR -	1,00			--
0012		VTRS00567		WASHER 1/2	2,00			--
0017		TBFX48011		TUBE FLEX D.12X3 ARMORV.PVC TR	0,17			--
0019		VTVT01158		SCREW M4x16	2,00			--



Ref.	K	Part N.	Customer Part N.	Description	Qty	Validity:		Price
						From	To	
EV1		MEEV00036		SOLENOID VALVE HOLE 8mm CLEANTIME	1,00			--
F01		MEVR02061		FUSE 80A	1,00			--
F02		MEVR02060		FUSE 40A	1,00			--
F03		MEVR02061		FUSE 80A	1,00			--
F04		MEVR02060		FUSE 40A	1,00			--
F05		MEVR01428		A LAMA 2 A. UNIVAL	1,00			--

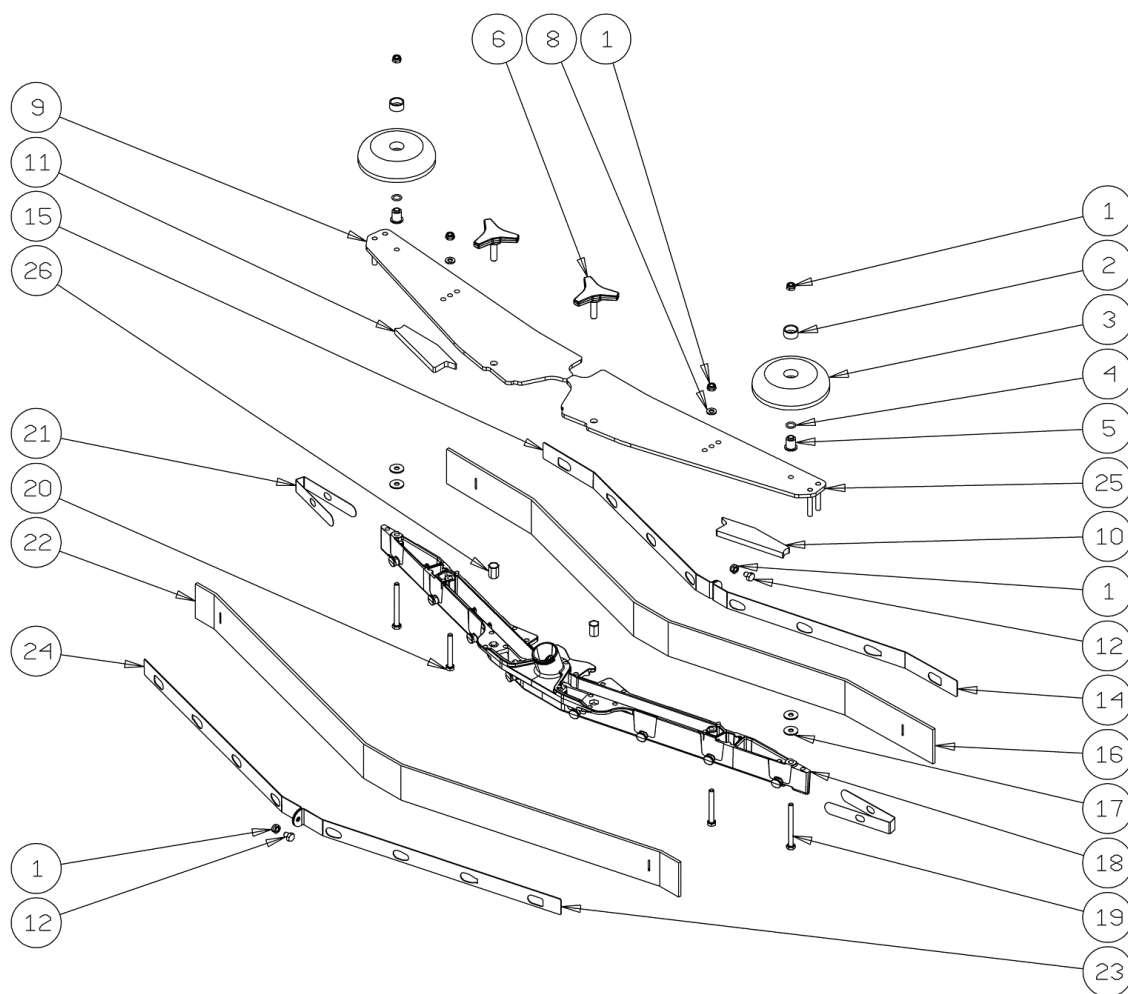


COMPONENTS		
F01	FUSE- BRUSH MOTORS (80 A)	FUSIBILE SPAZZOLE POTENZA (80 A)
F02	FUSE-VACUUM MOTOR (40 A)	FUSIBILE ASPIRATORE POTENZA (40 A)
F03	FUSE-TRACTION MOTORS (80 A)	FUSIBILE MOTORE TRAZIONE (80 A)
F04	FUSE-BRUSHES RELEASE (40 A)	FUSIBILE SGANCIO SPAZZOLE (40 A)
F05	FUSE-CONTROL PANEL (2 A)	FUSIBILE PLANCIA (2 A)
R01	RELAY- BRUSH MOTORS	TELERUTTORE SPAZZOLE
R02	RELAY- VACUUM MOTOR	RELE' ASPITATORE
R03	RELAY- TRACTION MOTOR	RELE' MOTORE TRAZIONE
R04	RELAY- BRUSH RELEASE	RELE' SCANCIO SPAZZOLE
EV1	ELECTRO-VALVE	ELETTROVALVOLA ACQUA
KS1	GENERAL KEY	CHIAVE AVVIAMENTO
K01	SWITCH- HAND LEVER	INTERRUTTORE LEVA TRAZIONE
K02	SWITCH- RECOVERY TANK LEVEL (MAX)	LIVELLO TROPPO PIENO (N.O.)
K03	SWITCH- SOLUTION TANK LEVEL ( MIN )	LIVELLO MINIMO SERBATOIO (N.O.)
K04	SWITCH- FORWARD / REWARD	INTERRUTTORE MARCIA AVANTI INDIETRO
K06	SWITCH- BATTERY RECHARGE SAFETY	MICRO SICUREZZA RICARICA BATTERIE
M1A	MOTOR- BRUSH 1	MOTORE SPAZZOLA -1
M1B	MOTOR- BRUSH 2	MOTORE SPAZZOLA -2
M2	MOTOR- VACUUM	MOTORE ASPIRATORE
M3	MOTOR- TRACTION	MOTORE TRAZIONE
T1A	THERMIC SWITCH BRUSH MOTOR 1	TERMICA MOTORE SPAZZOLA -1
T1B	THERMIC SWITCH BRUSH MOTOR 2	TERMICA MOTORE SPAZZOLA -2
T3	THERMIC SWITCH TRACTION MOTOR	TERMICA MOTORE TRAZIONE

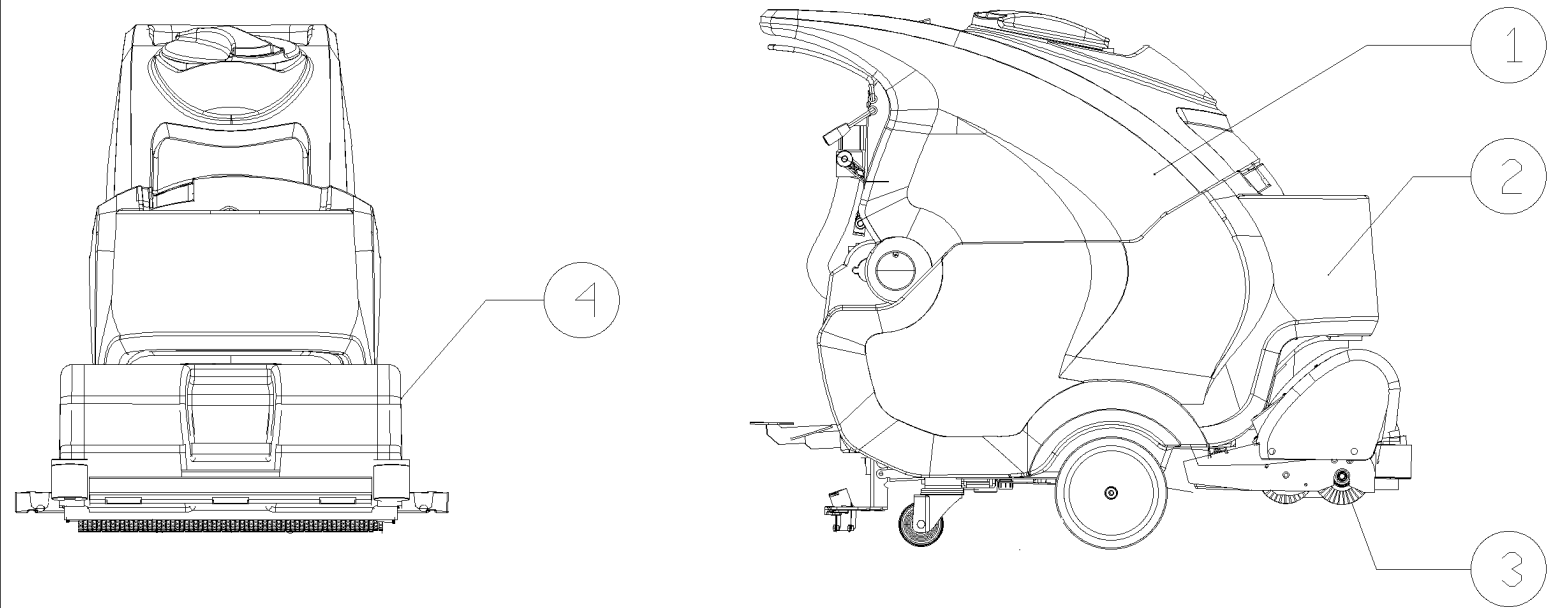
COMPONENTS		
MS1	CONNECTOR- BATTERY POSITIVE	MORSETTO BATTERIA POSITIVO
MS2	CONNECTOR- BATTERY NEGATIVE	MORSETTO BATTERIA NEGATIVO
C1	CONNECTOR- BRUSH MOTOR 1	CONN. MOTORE SPAZZOLA -1
C2	CONNECTOR- THERMIC SW. BRUSH MOTOR 1	CONN. TERMICA MOTORE SPAZZOLA -1
C3	CONNECTOR- BRUSH MOTOR 2	CONN. MOTORE SPAZZOLA -2
C4	CONNECTOR- THERMIC SW. BRUSH MOTOR 2	CONN. TERMICA MOTORE SPAZZOLA -2
C5	CONNECTOR- VACUUM MOTOR	CONN. MOTORE ASPIRAZIONE
C6	CONNECTOR- "CHEM DOSE" ACCESSORY	CONN. CHEM-DOS
C7	CONNECTOR THERMIC SWITCH-TRACTION MOTOR	CONN. TERMICA MOTORE TRAZIONE
C8	CONNECTOR- PRESSURE BOARD	CONN. POSITIVO SCHEDA PRESSIONE
C9	CONNECTOR- BATTERY RECHARGE SAFETY	CONN.SICUREZZA RICARICA BATTERIE
C10	CONNECTOR- BOARD/ ELECTROVALVE	CONN. E.V. H2O DA SCHEDA ELETTRONICA
C11	CONNECTOR- HAND LEVER	CONN. LEVA TRAZIONE
C12	CONNECTOR- RECOVERY TANK LEVEL (MAX)	CONN. LIVELLO TROPPO PIENO
C13	CONNECTOR- SOLUTION TANK LEVEL ( MIN )	CONN. LIVELLO MINIMO
C14	CONNECTOR- FORWARD / REWARD	CONN. SELETORE MARCIA
C15	CONNECTOR- EXTERNAL BATT.CHARGER	CONN. MICRO C.B. ESTERNO
C16	CONNECTOR- TRACTION MOTOR	CONN. MOTORE TRAZIONE
C17	CONNECTOR- TRACTION MOTOR	CONN. MOTORE TRAZIONE
C19	CONNECTOR- BATTERY RECHARGE	SPINA ANDERSON RICARICA BATTERIE
C20	RING TERMINAL Ø8	CAPICORDA CON OCCHIELLO Ø8
CN1	CONNECTOR- CONTROL PANEL BOARD	CONN. 1 SCHEDA PLANCIA
CN2	CONNECTOR- CONTROL PANEL BOARD	CONN. 2 SCHEDA PLANCIA
CN3	CONNECTOR- CONTROL PANEL BOARD	CONN. 3 SCHEDA PLANCIA
CN4	CONNECTOR- CONTROL PANEL BOARD	CONN. 4 SCHEDA PLANCIA

PLDC01888\_1

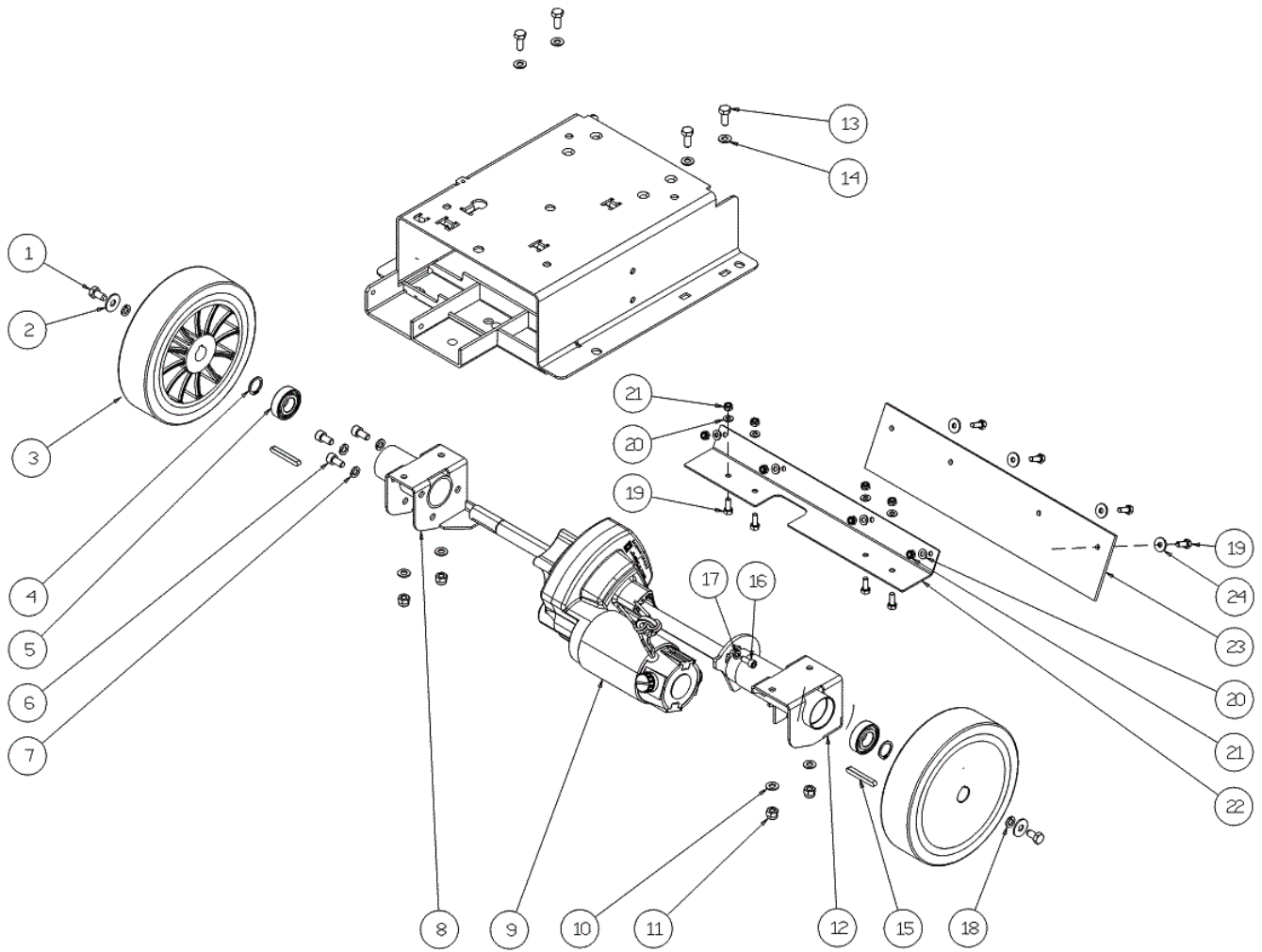
Ref.	K	Part N.	Customer Part N.	Description	Qty	Validity:		Price
						From	To	
EV1		MEEV00036		SOLENOID VALVE HOLE 8mm CLEANTIME	1,00			--
F01		MEVR02061		FUSE 80A	1,00			--
F02		MEVR02060		FUSE 40A	1,00			--
F03		MEVR02061		FUSE 80A	1,00			--
F04		MEVR02060		FUSE 40A	1,00			--
F05		MEVR01428		FUSE A LAMA 2 A. UNIVAL	1,00			--



Ref. K	Part N.	Customer Part N.	Description	Qty	Validity:		Price
					From	To	
0001	VTDD01694		NUT M6 INOX	6,00			--
0002	MPVR49229		BUSHING SHK	2,00			--
0003	MPVR05290		ROLLER PARACOLPI	2,00			--
0004	GUGO00164		GASKET	2,00			--
0005	LAFN04100		SPACER PER RUOTINO PARACOLPI	2,00			--
0006	MPVR06003		KNOB AISI 304	2,00		03/2013	--
0006	MPVR06004		KNOB AISI 304	2,00	03/2013		--
0008	VTRS00245		WASHER D.6 UNI 6592 INOX	2,00			--
0009	LAFN09012		PLATE -	1,00			--
0010	GUVR00301		GASKET -	1,00			--
0011	GUVR00300		GASKET -	1,00			--
0012	VTVT01161		SCREW M6x8	2,00			--
0014	LAFN08948		BRACKET -	1,00			--
0015	LAFN08949		BRACKET -	1,00			--
0016	MPVR08039		BLADE S LATEX	1,00			--
0017	VTRS13945		WASHER D. 6X18 INX UNI 6593	4,00			--
0018	KTRI02048		BODY SQUEEGEE PRESSOFUSO "S"	1,00			--
0019	VTVT00841		SCREW TE M 6X65 UNI 5739 INX	2,00			--
0020	VTVT15515		SCREW TE M 6X 50 INOX A2	2,00			--
0021	MPVR05897		CLOSURE S	2,00			--
0022	MPVR08035		BLADE S LATEX	1,00			--
0023	LAFN08950		BRACKET -	1,00			--
0024	LAFN08951		BRACKET -	1,00			--
0025	LAFN09013		PLATE -	1,00			--
0026	VTVR00565		INSERT -	2,00			--



Ref.	K	Part N.	Customer Part N.	Description	Qty	Validity:		Price
						From	To	
0001		MPVR07066		TANK RECOVERY CT40 PANTONE 368	1,00			--
0002		MPVR05814		TANK -	1,00			--
0003		SPPV01163		BRUSH -	2,00			--
0004		MPVR05597		COVER -	1,00			--



Ref.	K	Part N.	Customer Part N.	Description	Qty	Validity:		Price
						From	To	
0001		VTVT15916		SCREW TE M 8X 16 UNI 5739 A2	2,00			--
0002		VTRS13946		WASHER D. 8 X24 INX UNI 6593	2,00			--
0003		RTRT00524		WHEEL -	2,00		05/2010	--
0003		RTRT00529		WHEEL D200	2,00	05/2010	06/2012	--
0003		RTRT00546		WHEEL D.200	2,00	06/2012		--
0004		VTAE06193		CIRCLIP D. 20 UNI 7435	2,00			--
0005		CUVR00083		BEARING 6004 2RS H SKF	2,00	09/2011	04/2013	--
0005		CUVR00190		BEARING 6004	2,00	04/2013		--
0005		CUVR19846		BALL BEARING 6004 2RS1	2,00		09/2011	--
0006		VTVT00876		SCREW TCEI M.8-16	3,00			--
0007		VTRS15146		WASHER D. 8 INX GRW UNI 1751	3,00			--
0008		LAFN07811		SUPPORT -	1,00		10/2012	--
0008		LAFN08972		BRACKET SX	1,00	10/2012		--
0009		MOCC00022		CARBON X MOT.COD.MOCC86902	2,00			--
0009		MOCC00373		MOTOR -	1,00		10/2010	--
0009		MOCC00395		MOTOR TRACTION 24V 200W 150G	1,00	10/2010	10/2012	--
0009		MOCC00396		MOTOR	1,00	10/2012		--
0010		VTRS13947		WASHER D. 8 INX UNI 6592	4,00			--
0011		VTDD01695		NUT M 8 INX	4,00			--
0012		LAFN07813		SUPPORT -	1,00		10/2012	--
0012		LAFN08971		BRACKET DX	1,00	10/2012		--
0013		VTVT15916		SCREW TE M 8X 16 UNI 5739 A2	4,00			--
0014		VTRS13947		WASHER D. 8 INX UNI 6592	4,00			--
0015		VTVR00566		KEY 6X10X40	2,00	06/2012		--
0015		VTVR33668		KEY 6x 6x40 UNI 6604A	2,00		06/2012	--
0016		VTVT00717		SCREW TCEI M. 6-16	2,00			--
0017		VTRS15144		WASHER D. 6 INX GRW UNI 1751	2,00			--
0018		VTRS15144		WASHER D. 6 INX GRW UNI 1751	2,00			--
0019		VTVT15143		SCREW TE 6X16 UNI5739	8,00	07/2012		--
0020		VTRS00245		WASHER D.6 UNI 6592 INOX	8,00	07/2012		--
0021		VTDD01694		NUT M6 INOX	8,00	07/2012		--
0022		LAFN07950		BRACKET CT40	1,00	07/2012		--
0023		MPVR06229		FLAP CT40	1,00	07/2012		--
0024		VTRS13945		WASHER D. 6X18 INX UNI 6593	4,00	07/2012		--