

# NLT - NLTI

Caratteristiche Tecniche

Albero maschio – Solid Shaft

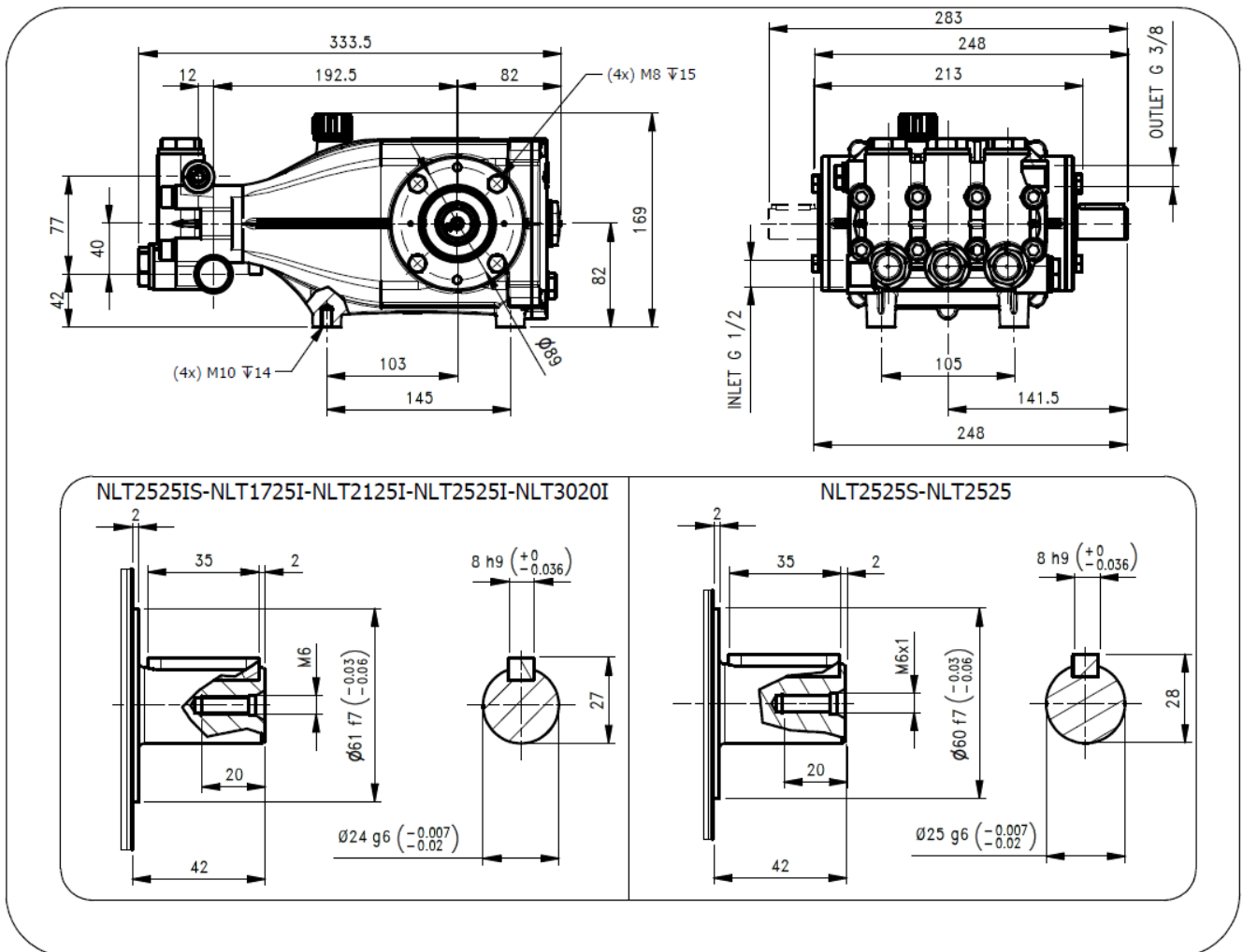
Technical Characteristics

| Pump<br>Pompa | Pressure<br>Pressione |      | Volume<br>Portata |       |       |       | RPM<br>giri/min |       | Power<br>Potenza |       |       |       |
|---------------|-----------------------|------|-------------------|-------|-------|-------|-----------------|-------|------------------|-------|-------|-------|
|               |                       |      | l/min             |       | GPM   |       |                 |       | HP               |       | kW    |       |
|               | bar                   | PSI  | 50 Hz             | 60 Hz | 50 Hz | 60 Hz | 50 Hz           | 60 Hz | 50 Hz            | 60 Hz | 50 Hz | 60 Hz |
| NLT2525S      | 250                   | 3625 | 25                | 30    | 6.6   | 7.9   | 1000            | 1200  | 16.0             | 19.2  | 11.8  | 14.2  |
| NLT2525       | 250                   | 3625 | 25                | 30    | 6.6   | 7.9   | 1450            | 1740  | 16.0             | 19.2  | 11.8  | 14.2  |

|           |     |      |    |    |     |     |      |      |      |      |      |      |
|-----------|-----|------|----|----|-----|-----|------|------|------|------|------|------|
| NLT2525IS | 250 | 3625 | 25 | 30 | 6.6 | 7.9 | 1000 | 1200 | 16.0 | 19.2 | 11.8 | 14.2 |
| NLT1725I  | 250 | 3625 | 17 | 20 | 4.5 | 5.4 | 1450 | 1740 | 11.0 | 13.2 | 8.1  | 9.7  |
| NLT2125I  | 250 | 3625 | 21 | 25 | 5.6 | 6.7 | 1450 | 1740 | 13.5 | 16.2 | 9.9  | 11.9 |
| NLT2525I  | 250 | 3625 | 25 | 30 | 6.6 | 7.9 | 1450 | 1740 | 16.0 | 19.2 | 11.8 | 14.2 |
| NLT3020I  | 200 | 2900 | 30 | 36 | 7.9 | 9.5 | 1450 | 1740 | 15.5 | 18.6 | 11.4 | 13.7 |

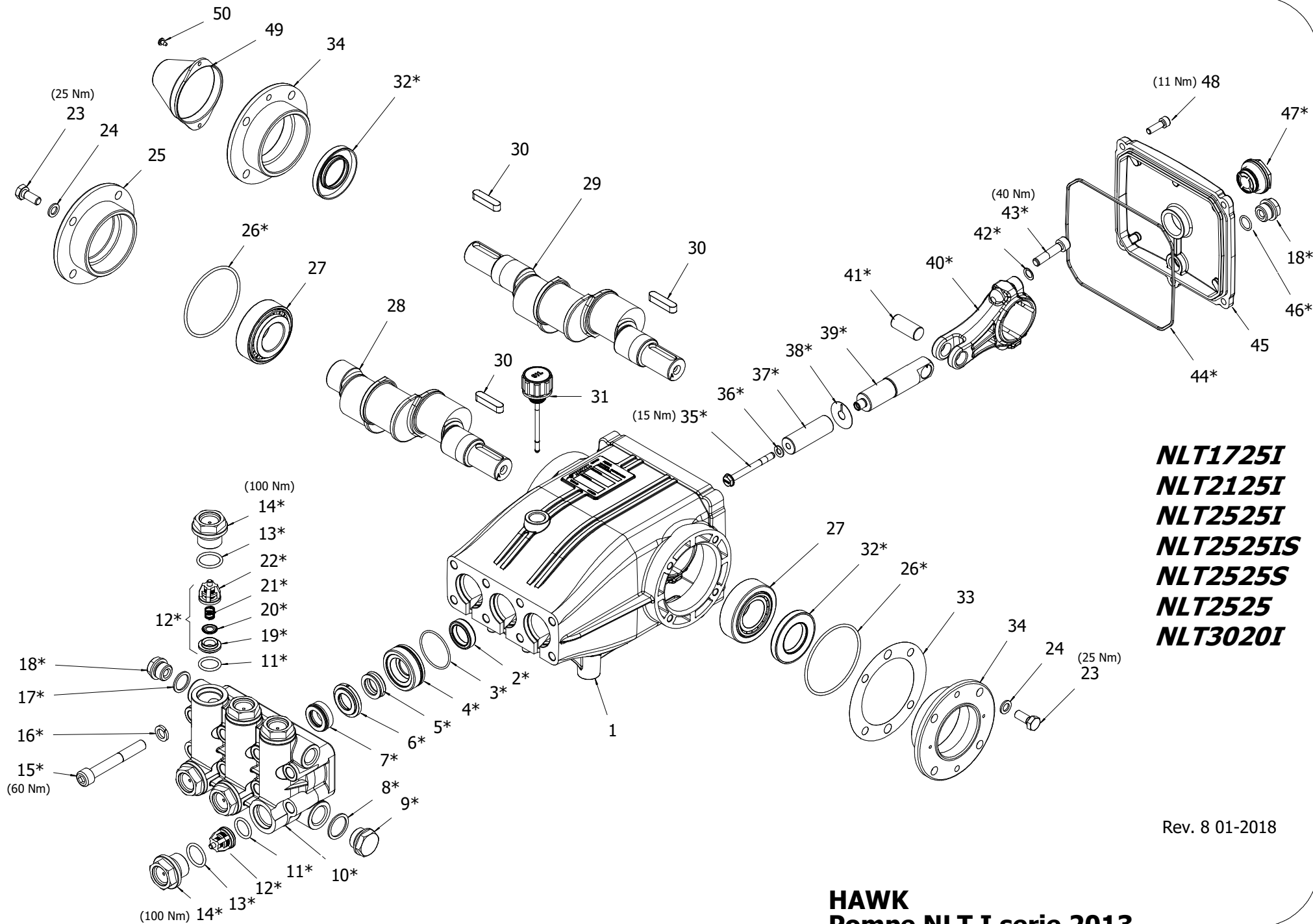
Dimensioni d'ingombro

Overall dimensions



Lubrificazione: Olio SAE 10W40  
 Capacità: 1.2 Litri  
 Peso pompa: 15.2 kg

Lubrication: SAE 10W40 Oil  
 Capacity: 1.2 Litres  
 Weight: 15.2 kg



**NLT1725I**  
**NLT2125I**  
**NLT2525I**  
**NLT2525IS**  
**NLT2525S**  
**NLT2525**  
**NLT3020I**

Rev. 8 01-2018

**HAWK**  
**Pompe NLT I serie 2013**  
**NLT I pumps 2013 series**

## NLT 2013 SERIES

### ORDINARY MAINTENANCE KIT / KIT MANUTENZIONE ORDINARIA

| KIT | Item - Pos                 | Part Number - Codice | Description              | Descrizione             | Q.TY per pump - Q.TA per pompa | NLT2525ISR/L | NLT1725IR/L | NLT2125IR/L | NLT2525IR/L | NLT3020IR/L | NLT2525SR/L | NLT2525ISB | NLT2525IB | NLT3020IB | NLT2525SB | NLT2525B |   |
|-----|----------------------------|----------------------|--------------------------|-------------------------|--------------------------------|--------------|-------------|-------------|-------------|-------------|-------------|------------|-----------|-----------|-----------|----------|---|
|     |                            |                      |                          |                         |                                |              |             |             |             |             |             |            |           |           |           |          |   |
| A   | 3- 5- 7                    | 1.099-759.0          | PLUNGER SEALS DIA. 20 mm | GUARNIZIONI PISTONE Ø20 | 1                              | •            |             |             |             | •           | •           | •          |           | •         | •         |          |   |
|     |                            | 1.099-760.0          | PLUNGER SEALS DIA. 18 mm | GUARNIZIONI PISTONE Ø18 |                                |              | •           | •           | •           |             |             |            |           |           | •         |          |   |
| B   | 11- 12- 13 (19- 20- 21 22) | 1.905-669.0          | COMPLETE VALVE           | VALVOLA COMPLETA        | 1                              | •            | •           | •           | •           | •           | •           | •          | •         | •         | •         | •        | • |

### EXTRAORDINARY MAINTENANCE KIT / KIT MANUTENZIONE STRAORDINARIA

| KIT | Item - Pos   | Part Number - Codice | Description                       | Descrizione                            | Q.TY per pump - Q.TA per pompa | NLT2525ISR/L | NLT1725IR/L | NLT2125IR/L | NLT2525IR/L | NLT3020IR/L | NLT2525SR/L | NLT2525ISB | NLT2525IB | NLT3020IB | NLT2525SB | NLT2525B |   |
|-----|--|----------------------|-----------------------------------|--|--------------------------------|--------------|-------------|-------------|-------------|-------------|-------------|------------|-----------|-----------|-----------|----------|---|
|     |  |                      |                                   |  |                                |              |             |             |             |             |             |            |           |           |           |          |   |
| C   | 3- 4- 5- 6 7                                       | 1.905-670.0          | COMPLETE SEALS PACKING DIA. 20 mm | PACCO COMPLETO GUARNIZIONI PISTONE Ø20 | 1                              | •            |             |             |             | •           | •           | •          |           | •         | •         |          |   |
|     |  | 1.905-671.0          | COMPLETE SEALS PACKING DIA. 18 mm | PACCO COMPLETO GUARNIZIONI PISTONE Ø18 |                                |              |             | •           | •           | •           |             |            |           |           | •         |          |   |
| D   | 35- 36- 37 38                                      | 1.099-763.0          | PLUNGER DIA. 20 mm                | PISTONE Ø20                            | 3                              | •            |             |             |             | •           | •           | •          |           | •         | •         |          |   |
|     |  | 1.099-764.0          | PLUNGER DIA. 18 mm                | PISTONE Ø18                            |                                |              |             | •           | •           | •           |             |            |           |           | •         |          |   |
| E   | 2  | 1.099-766.0          | PLUNGER OIL SEALS                 | ANELLI TENUTA OLIO ASTA                | 1                              | •            | •           | •           | •           | •           | •           | •          | •         | •         | •         | •        | • |
| F   | 18- 26- 32 44- 46- 47                              | 1.905-613.0          | KIT CRANKCASE SEALS               | KIT TENUTE CARTER                      | 1                              | •            | •           | •           | •           | •           | •           | •          | •         | •         | •         | •        | • |
| G   | 3- 4- 5- 6 7- 8- 9- 10 11- 12- 13 14-15- 16 17- 18 | 1.099-767.0          | COMPLETE MANIFOLD DIA. 20 mm      | TESTATA COMPLETA Ø20                   | 1                              | •            |             |             |             | •           | •           | •          |           | •         | •         |          |   |
|     |  | 1.099-768.0          | COMPLETE MANIFOLD DIA. 18 mm      | TESTATA COMPLETA Ø18                   |                                |              |             | •           | •           | •           |             |            |           |           | •         |          |   |
| H   | 39- 40- 41 42- 43                                  | 1.904-182.0          | CONNECTING ROD PLUNGER ROD ASSY   | PREMONTATO ASTA-BIELLA PISTONE         | 3                              | •            | •           | •           | •           | •           | •           | •          | •         | •         | •         | •        | • |
| I   | 13- 14   | 1.904-251.0          | VALVE PLUG ASSY                   | PREMONTATO TAPPO VAM                   | 6                              | •            | •           | •           | •           | •           | •           | •          | •         | •         | •         | •        | • |

“Q.TY by Pump” => Necessary quantity to repair one pump  
 “Q.TA’ per Pompa” => Quantità necessaria per riparare una pompa

| Part Number - Codice | Description             | Descrizione             |
|----------------------|-------------------------|-------------------------|
| 1.099-665.0          | TOOL-KIT                | TOOL-KIT                |
| 1.905-659.0          | SEAL EXTRACTOR TOOL-KIT | TOOL-KIT ESTR. PARAOLIO |

**IMPORTANT**
**IMPORTANTE**

\* **Part available ONLY in kit**  
**Disponibile SOLO in kit**

(...) **Parts pre-assembled**  
**Parti pre-assemblate**

**PARTS LIST LISTA PARTI**

| Item<br>-<br>Pos | Part Number<br>-<br>Codice | Description                         | Descrizione           | KIT   | Q.TY<br>per<br>pump<br>-<br>Q.TA<br>per<br>pompa | NLT2525ISR/L | NLT1725IR/L | NLT2125IR/L | NLT2525IR/L | NLT3020IR/L | NLT2525SR/L | NLT2525ISB | NLT2525IB | NLT3020IB | NLT2525SIB | NLT2525B |
|------------------|----------------------------|-------------------------------------|-----------------------|-------|--|--------------|-------------|-------------|-------------|-------------|-------------|------------|-----------|-----------|------------|----------|
|                  |                            |                                     |                       |       |  |              |             |             |             |             |             |            |           |           |            |          |
| 1                | 9.850-377.0                | CRANKCASE                           | CARTER                |       | 1  |              |             |             |             |             |             |            |           |           |            |          |
| 2*               |                            | PLUNGER OIL SEAL                    | ANELLO RADIALE        | E     | 3  | •            | •           | •           | •           | •           | •           | •          | •         | •         | •          | •        |
| 3*               |                            | "O" RING Ø1.78X37.82                | "O" RING Ø1.78X37.82  | A-C-G | 3  |              |             |             |             |             |             |            |           |           |            |          |
| 4*               |                            | PRESSURE RING 20MM                  | PRESSORE "U" Ø20      | C-G   | 3  | •            |             |             |             |             | •           | •          | •         | •         | •          | •        |
|                  |                            | PRESSURE RING 18MM                  | PRESSORE "U" Ø18      |       |  | •            |             |             |             |             |             |            | •         |           |            |          |
| 5*               |                            | LOW PRESSURE "U" SEAL,<br>DIA.20MM  | ANELLO TENUTA "U" Ø20 | A-C-G | 3  | •            |             |             |             |             | •           | •          | •         | •         | •          | •        |
|                  |                            | LOW PRESSURE "U" SEAL,<br>DIA.18MM  | ANELLO TENUTA "U" Ø18 |       |  | •            |             |             |             |             |             |            | •         |           |            |          |
| 6*               |                            | INTERMED. RING 20MM                 | DIFFUSORE INTER. Ø20  | C-G   | 3  | •            |             |             |             |             | •           | •          | •         | •         | •          | •        |
|                  |                            | INTERMED. RING 18MM                 | DIFFUSORE INTER. Ø18  |       |  | •            | •           | •           |             |             |             |            | •         |           |            |          |
| 7*               |                            | HIGH PRESSURE "U" SEAL,<br>DIA.20MM | ANELLO TENUTA "U" Ø20 | A-C-G | 3  | •            |             |             |             |             | •           | •          | •         | •         | •          | •        |
|                  |                            | HIGH PRESSURE "U" SEAL,<br>DIA.18MM | ANELLO TENUTA "U" Ø18 |       |  | •            | •           | •           |             |             |             |            | •         |           |            |          |
| 8*               |                            | COPPER WASHER G1/2                  | GUARNIZIONE RAME      | G     | 1  | •            | •           | •           | •           | •           | •           | •          | •         | •         | •          | •        |
| 9*               |                            | PLUG G1/2                           | TAPPO G1/2            | G     | 1  | •            | •           | •           | •           | •           | •           | •          | •         | •         | •          | •        |
| 10*              |                            | MANIFOLD HOUSING<br>DIA.20          | TESTATA Ø20           | G     | 1  | •            |             |             |             |             | •           | •          | •         | •         | •          | •        |
|                  |                            | MANIFOLD HOUSING<br>DIA.18          | TESTATA Ø18           |       |  | •            | •           | •           |             |             |             |            | •         |           |            |          |
| 11*              |                            | "O" RING Ø2.62X17.13                | "O" RING Ø2.62X17.13  | B-G   | 6  |              |             |             |             |             |             |            |           |           |            |          |
| 12*              |                            | VALVE ASSEMBLY                      | VALVOLA PREMONTATA    | B-G   | 6  |              |             |             |             |             |             |            |           |           |            |          |
| 13*              |                            | "O" RING Ø2.62X20.24                | "O" RING Ø2.62X20.24  | B-G-I | 6  |              |             |             |             |             |             |            |           |           |            |          |
| 14*              |                            | VALVE PLUG                          | TAPPO VALVOLA         | G-I   | 6  |              |             |             |             |             |             |            |           |           |            |          |
| 15*              |                            | MANIFOLD SCREW M10X80<br>GEOMET     | VITE M10X80 GEOMET    | G     | 8  |              |             |             |             |             |             |            |           |           |            |          |
| 16*              |                            | WASHER Ø10,2                        | ROSETTA Ø10,2         | G     | 8  |              |             |             |             |             |             |            |           |           |            |          |
| 17*              |                            | COPPER WASHER G3/8                  | GUARNIZIONE RAME      | G     | 1  | •            | •           | •           | •           | •           | •           | •          | •         | •         | •          | •        |
| 18*              |                            | PLUG G3/8                           | TAPPO G3/8            | G-F   | 2  |              |             |             |             |             |             |            |           |           |            |          |
| 19*              |                            | VALVE SEAT                          | SEDE VALVOLA          | B-G   | 6  |              |             |             |             |             |             |            |           |           |            |          |
| 20*              |                            | VALVE PLATE                         | PIATTELLO VALVOLA     | B-G   | 6  |              |             |             |             |             |             |            |           |           |            |          |
| 21*              |                            | VALVE SPRING                        | MOLLA VALVOLA         | B-G   | 6  |              |             |             |             |             |             |            |           |           |            |          |
| 22*              |                            | VALVE CAGE                          | GABBIA VALVOLA        | B-G   | 6  |              |             |             |             |             |             |            |           |           |            |          |
| 23               | 9.851-503.0                | HEXAGONAL SCREW<br>M8X20            | VITE M8X20            |       | 8  |              |             |             |             |             |             |            |           |           |            |          |
| 24               | 9.851-114.0                | WASHER                              | ROSETTA Ø8,5          |       | 6  |              |             |             |             |             |             |            |           |           |            |          |
| 25               | 9.850-620.0                | CLOSED BEARING<br>HOUSING           | FLANGIA CHIUSA        |       | →  | 1            | 1           | 1           | 1           | 1           | 1           | 0          | 0         | 0         | 0          | 0        |

| Item<br>-<br>Pos | Part Number<br>-<br>Codice | Description                | Descrizione            | KIT | Q.TY<br>per<br>pump<br>-<br>Q.TÀ<br>per<br>pompa | NLT2525SR/L | NLT1725IR/L | NLT2125IR/L | NLT2525IR/L | NLT3020IR/L | NLT2525SR/L | NLT2525IB | NLT2525IB | NLT3020IB | NLT2525SB | NLT2525B |   |
|------------------|----------------------------|----------------------------|------------------------|-----|--|-------------|-------------|-------------|-------------|-------------|-------------|-----------|-----------|-----------|-----------|----------|---|
|                  |                            |                            |                        |     |  |             |             |             |             |             |             |           |           |           |           |          |   |
| 26*              |                            | "O" RING Ø1.78X71.12       | "O" RING Ø1.78X71.12   | F   | 2  | •           | •           | •           | •           | •           | •           | •         | •         | •         | •         | •        |   |
| 27               | 9.850-347.0                | ROLLER BEARING             | CUSCINETTO A RULLI     |     | 2  | •           | •           | •           | •           | •           | •           | •         | •         | •         | •         | •        |   |
| 28               | 9.850-208.0                | SINGLE - ENDED SHAFT       | ALBERO SEMPLICE P.D.F. |     | 1  | •           |             |             |             |             |             |           |           |           |           |          |   |
|                  | 9.850-209.0                | " " "                      | " " "                  |     |  |             | •           |             |             |             |             |           |           |           |           |          |   |
|                  | 9.850-210.0                | " " "                      | " " "                  |     |  |             |             |             | •           |             |             |           |           |           |           |          |   |
|                  | 9.850-211.0                | " " "                      | " " "                  |     |  |             |             |             |             | •           |             |           |           |           |           |          |   |
|                  | 9.850-212.0                | " " "                      | " " "                  |     |  |             |             |             |             |             | •           |           |           |           |           |          |   |
|                  | 9.850-213.0                | " " "                      | " " "                  |     |  |             |             |             |             |             |             | •         |           |           |           |          |   |
| 29               | 9.851-900.0                | DOUBLE - ENDED SHAFT       | ALBERO DOPPIA P.D.F.   |     | 1  |             |             |             |             |             |             | •         |           |           |           |          |   |
|                  | 9.850-214.0                | " " "                      | " " "                  |     |  |             |             |             |             |             |             |           | •         |           |           |          |   |
|                  | 9.850-215.0                | " " "                      | " " "                  |     |  |             |             |             |             |             |             |           |           | •         |           |          |   |
|                  | 9.850-216.0                | " " "                      | " " "                  |     |  |             |             |             |             |             |             |           |           |           | •         |          |   |
|                  | 9.850-217.0                | " " "                      | " " "                  |     |  |             |             |             |             |             |             |           |           |           |           | •        |   |
| 30               | 9.850-446.0                | CRANKSHAFT KEY             | CHIAVETTA              |     | →  | 1           | 1           | 1           | 1           | 1           | 1           | 2         | 2         | 2         | 2         | 2        |   |
| 31               | 9.851-287.0                | OIL DIP STICK              | TAPPO LIVELLO OLIO     |     | 1  | •           | •           | •           | •           | •           | •           | •         | •         | •         | •         | •        |   |
| 32*              |                            | CRANKSHAFT SEAL            | ANELLO RADIALE         | F   | →  | 1           | 1           | 1           | 1           | 1           | 1           | 2         | 2         | 2         | 2         | 2        |   |
| 33               | 9.850-546.0                | SHIM                       | DISTANZIALE            |     | 1  | •           | •           | •           | •           | •           | •           | •         | •         | •         | •         | •        |   |
| 34               | 9.850-610.0                | BEARING HOUSING I Ø61      | FLANGIA I Ø61          |     | →  | 1           | 1           | 1           | 1           | 1           |             | 2         | 2         | 2         |           |          |   |
|                  | 9.850-619.0                | BEARING HOUSING Ø60        | FLANGIA Ø60            |     |  |             |             |             |             |             | 1           |           |           |           |           | 2        | 2 |
| 35*              |                            | PLUNGER SCREW              | VITE PISTONE           | D-H | 3  | •           | •           | •           | •           | •           | •           | •         | •         | •         | •         | •        |   |
| 36*              |                            | COPPER SPACER              | ROSETTA RAME           | D-H | 3  | •           | •           | •           | •           | •           | •           | •         | •         | •         | •         | •        |   |
| 37*              |                            | PLUNGER 20MM               | PISTONE Ø20            | D   | 3  | •           |             |             |             |             | •           | •         | •         | •         | •         | •        |   |
|                  |                            | PLUNGER 18MM               | PISTONE Ø18            |     |  |             | •           | •           | •           |             |             |           |           | •         |           |          | • |
| 38*              |                            | COPPER SPACER              | ROSETTA RAME           | D   | 3  |             |             |             |             |             |             |           |           |           |           |          |   |
| 39*              |                            | PLUNGER ROD                | ASTA PISTONE           | H   | 3  |             |             |             |             |             |             |           |           |           |           |          |   |
| 40*              |                            | CONNECTING ROD             | BIELLA                 | H   | 3  |             |             |             |             |             |             |           |           |           |           |          |   |
| 41*              |                            | CONNECTING ROD PIN         | SPINOTTO               | H   | 3  |             |             |             |             |             |             |           |           |           |           |          |   |
| 42*              |                            | SPRING WASHER Ø6           | ROSETTA ELASTICA Ø6    | H   | 6  |             |             |             |             |             |             |           |           |           |           |          |   |
| 43*              |                            | CONNECTING ROD SCREW M8X35 | VITE M8X35             | H   | 6  | •           | •           | •           | •           | •           | •           | •         | •         | •         | •         | •        |   |
| 44*              |                            | "O" RING Ø 2.62X152.07     | "O" RING Ø 2.62X152.07 | F   | 1  |             |             |             |             |             |             |           |           |           |           |          |   |
| 45               | 9.850-389.0                | CRANKCASE COVER            | COPERCHIO POSTERIORE   |     | 1  |             |             |             |             |             |             |           |           |           |           |          |   |
| 46*              |                            | "O" RING Ø1.78X14          | "O" RING Ø1.78X14      | F   | 1  |             |             |             |             |             |             |           |           |           |           |          |   |
| 47*              |                            | SIGHT GLASS, G3/4          | SPIA LIVELLO OLIO G3/4 | F   | 1  |             |             |             |             |             |             |           |           |           |           |          |   |
| 48               | 9.851-474.0                | SCREW M6X16                | VITE M6X16             |     | 5  |             |             |             |             |             |             |           |           |           |           |          |   |
| 49               | 9.850-442.0                | SHAFT PROTECTOR            | CAPPELLOTTO PROT.      |     | 1  |             |             |             |             |             |             | •         | •         | •         | •         | •        |   |
| 50               | 9.851-528.0                | SCREW                      | VITE CAPPELLOTTO       |     | 2  |             |             |             |             |             |             |           |           |           |           |          |   |