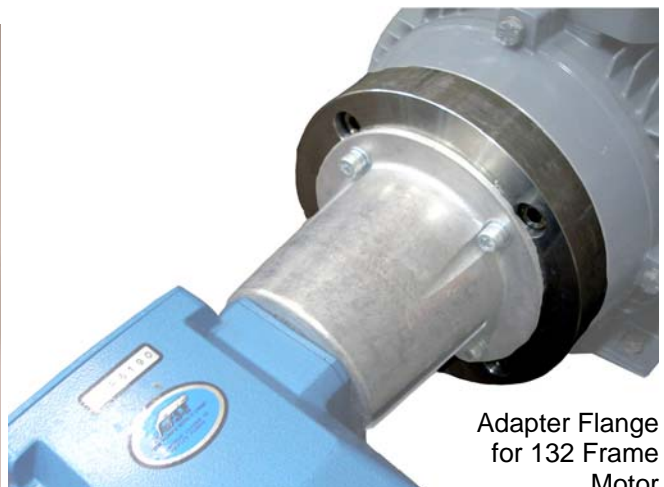
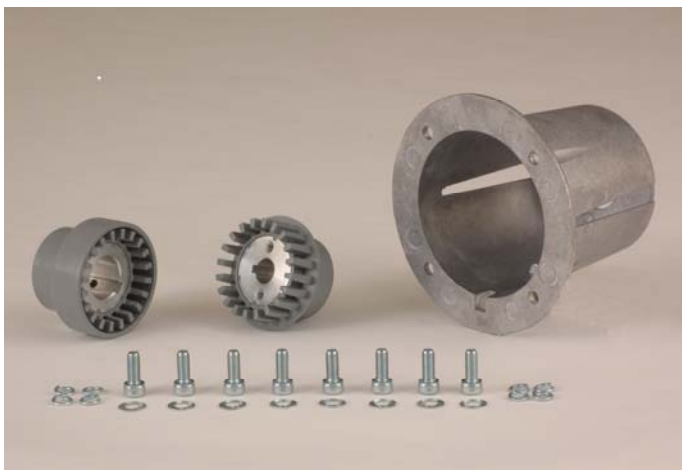
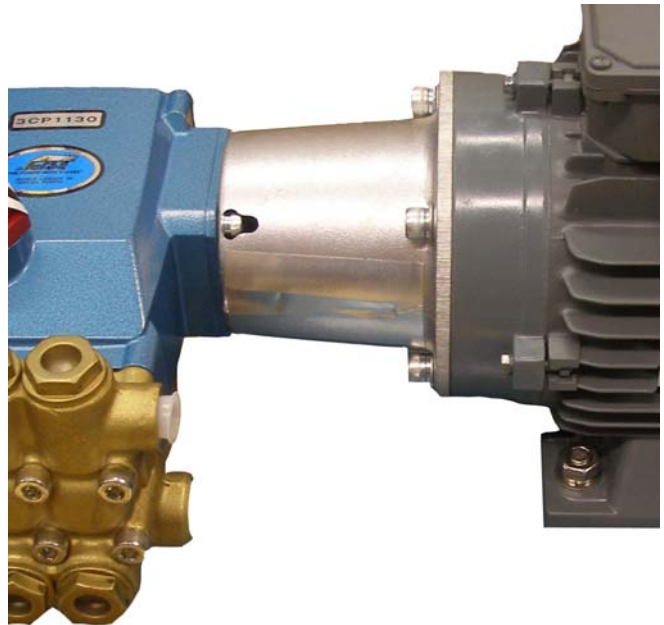




Bell Housings and Couplings

FEATURES AND BENEFITS

- Pump mounts directly onto motor, eliminating the need for drive belts, guards and baseplate
- Fits to standard metric motors with B14 face
- Prevents contact with moving parts, improving personal safety
- Compact design reduces installation space
- Simple self-alignment minimises side-loading on pump and motor shaft, extending bearing life
- Special finger-type coupling designed for extended life; tolerates high temperature and high running speeds
- All fixing screws included



Adapter Flange
for 132 Frame
Motor

“Customer confidence is our greatest asset”

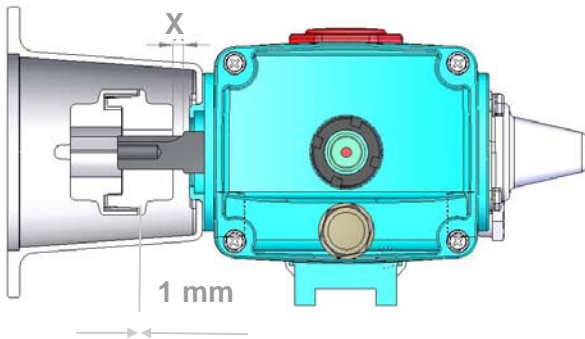
SIZES AND ORDERING CODES

Pump model	Pump Shaft Ø	Motor Shaft Ø	IEC Motor Frame Size B34 mounting	Bell-Housing	Install Kit	Coupling	'X'
3 PFR	16.5	24	90	30743	700929	30720	12
3 CP	16.5	24	90	701890	702020	30720	10
3 PFR	16.5	28	100-112	30738	700929	30736	5
3 CP	16.5	28	100-112	701724	700929	30736	7
5 PFR	20	28	100-112	30715	700929	30721	4
5 CP	20	28	100-112	701730	701925	30721	2
5PFR	20	38	132	30715	704474*	703629	#
5CP	20	38	132	701730	703585*	703629	#

*Includes Adapter Flange.

INSTALLATION INSTRUCTIONS

- Remove the screws from the bearing case on the side of the pump to which Bell-Housing will be fitted.
- Slip the Bell-Housing over the pump shaft with the **slots to the sides** and the drain slot at the **bottom**.
- Apply medium-strength thread-locking adhesive (e.g. Loctite™ 242) to the threads of the new longer screws supplied. Fit lock-washers to screws, insert and tighten to a torque of 5.5 Nm.
- Apply a film of anti-seize lubricant to the pump shaft and insert key (supplied with pump) into the shaft keyway.
- Separate the shaft coupling halves and press one half onto the pump shaft leaving a space 'X' between coupling and shoulder on shaft, see drawing & table. Where (#) is shown, consult local Cat Pumps office.
- Tighten the set screw to a torque of 15 - 19 Nm
- Apply a film of anti-seize lubricant to motor shaft and insert key (supplied with motor) into the motor shaft keyway.
- Press second half of flexible coupling onto motor shaft but do not tighten set-screw yet.
- If using Adapter Flange, secure flange to motor face using bolts supplied.
- Mount pump and bell-housing assembly onto motor face. Slip lock-washers onto bolts, insert and tighten evenly to a torque of 12 Nm.
- To secure coupling to motor shaft, first insert two screwdrivers through bell-housing slots from opposite sides and push the two halves of the coupling towards each other but leaving a gap of 1 mm, see drawing.
- Rotate motor shaft so set screw is accessible through slot in bell-housing and tighten screw to a torque of 15 - 19 Nm. Check that shaft turns without binding.



World Headquarters Cat Pumps

1681-94th Lane. N.E. Minneapolis, MN 55449 - 4324
Phone (763) 780-5440—FAX (763) 780-2958

E-mail sales@catpumps.com
www.catpumps.com

International Inquiries
FAX (763) 785-4329

E-mail: intsales@catpumps.com



Cat Pumps (U.K.) Limited

1 Fleet Business Park, Sandy Lane, Church Crookham
FLEET, Hampshire, GU52 8BF, England
Phone 01252 622031 - Fax 01252 626655
E-mail: sales@catpumps.co.uk www.catpumps.co.uk

N.V. Cat Pumps International S.A.

Heiveldekens 6A, 2550 Kontich, Belgium
Phone +32 3-450.71.50 - Fax +32 3-450.71.51
E-mail: cpi@catpumps.be www.catpumps.be

Cat Pumps Deutschland GmbH

Buchwiese 2, D-65510 Idstein, Germany
Phone +49 6126/9303-0 Fax +49 6126/9303-33
E-mail: catpumps@t-online.de www.catpumps.de