

BA 651/BA751/BA751C/BA851

Model:
BA 651
BA 751
BA 751 C
BA 851



Part List US-English

31-03-2015

Table of Contents

BA 651/BA751/BA751C/BA851

General view	3
Solution tank	5
Recovery tank	7
Chassis system	9
Wheels and drive	11
Handle assembly	13
Solution system	15
Squeegee holder	17
Squeegee systems	19
Brushes systems BA 651 - BA 751	21
Brushes system BA 851	23
Cylindrical brushes system	25
Control panel system	27
Electrical components	29
Battery charger	31
Accessory - EcoFlex system	33
Accessory - Squeegee system 840mm/33"	35
Accessory - Brush deck 600mm/24"	37
Accessory - Brushes - Pads - Squeegee blades kit	39
Recommended spare parts	41
General list of accessories	44

General view

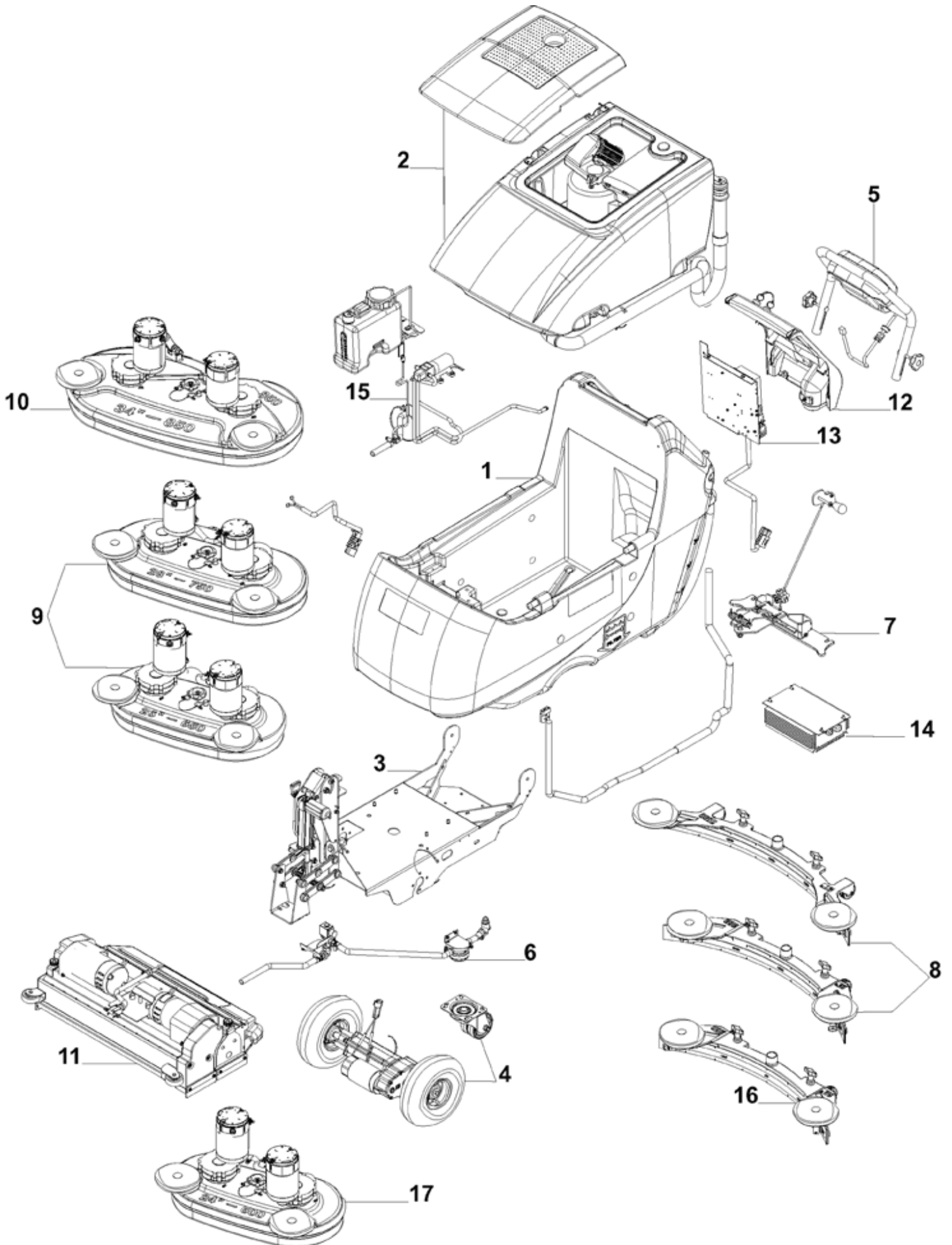
BA 651/BA751/BA751C/BA851

31-03-2015

Part List ID

BA65100

3



General view

BA 651/BA751/BA751C/BA851

31-03-2015

Part List ID
BA65100

4

Pos	Part no.	Qty	Description
1		1	USE LINK SOLUTION TANK
2		1	USE LINK RECOVERY TANK
3		1	USE LINK CHASSIS SYSTEM
4		1	USE LINK WHEELS AND DRIVE
5		1	USE LINK HANDLE ASSEMBLY
6		1	USE LINK SOLUTION SYSTEM
7		1	USE LINK SQUEEGEE HOLDER
8		1	USE LINK SQUEEGEE SYSTEMS
9		1	USE LINK BRUSHES SYSTEMS BA 651 - BA 751
10		1	USE LINK BRUSHES SYSTEM BA 851
11		1	USE LINK CYLBRSHES SYSTEM
12		1	USE LINK CONTROL PANEL SYSTEM
13		1	USE LINK ELECTRICAL COMPONENTS
14		1	USE LINK BATTERY CHARGER
15		1	USE LINK ACCESSORIES - EDS SYSTEM
16		1	USE LINK ACCESSORIES - SQUEEGEE SYSTEM 840MM/33"
17		1	USE LINK ACCESSORIES - BRUSH DECK 600MM/24"

Solution tank

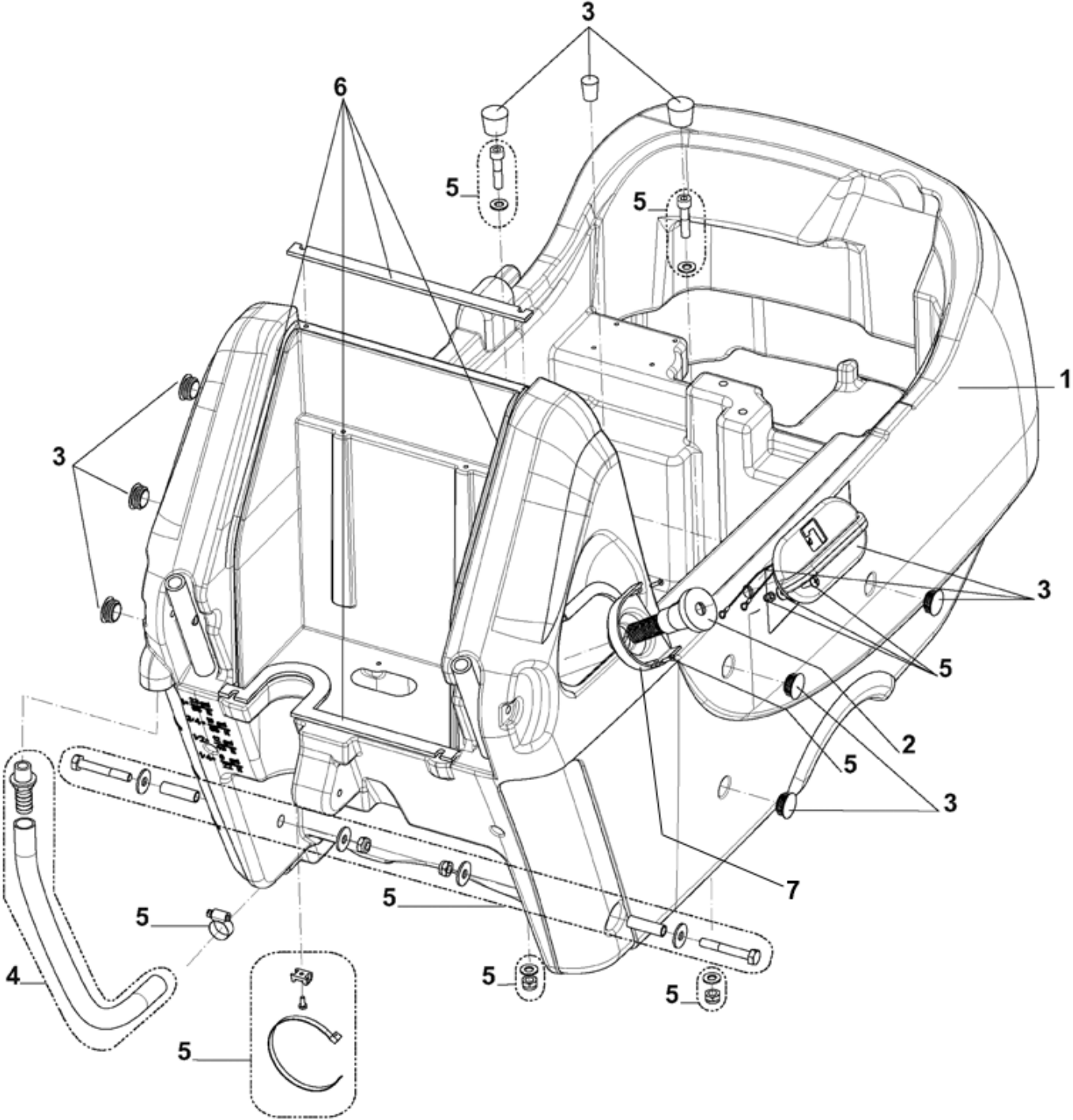
BA 651/BA751/BA751C/BA851

31-03-2015

Part List ID

BA65101

5



Solution tank

BA 651/BA751/BA751C/BA851

31-03-2015

Part List ID

BA65101

6

Pos	Part no.	Qty	Description
0	9098566000	1	SUPPORT SOLUTION TANK KIT TSB IT 2009-029-INST.INSTR.CODE 9098567000
1	9097202000	1	TANK SOLUTION 85 LT
2	9100000703	1	HOSE FILLING PKD
3	9097616000	1	CAPS SOLUTION TANK KIT
4	9097617000	1	HOSE SOLUTION KIT
5	9097614000	1	HARDWARE SOLUTION TANK KIT
6	9097615000	1	GASKETS SOLUTION TANK KIT
7	9097406000	1	SUPPORT HOSE FILLING

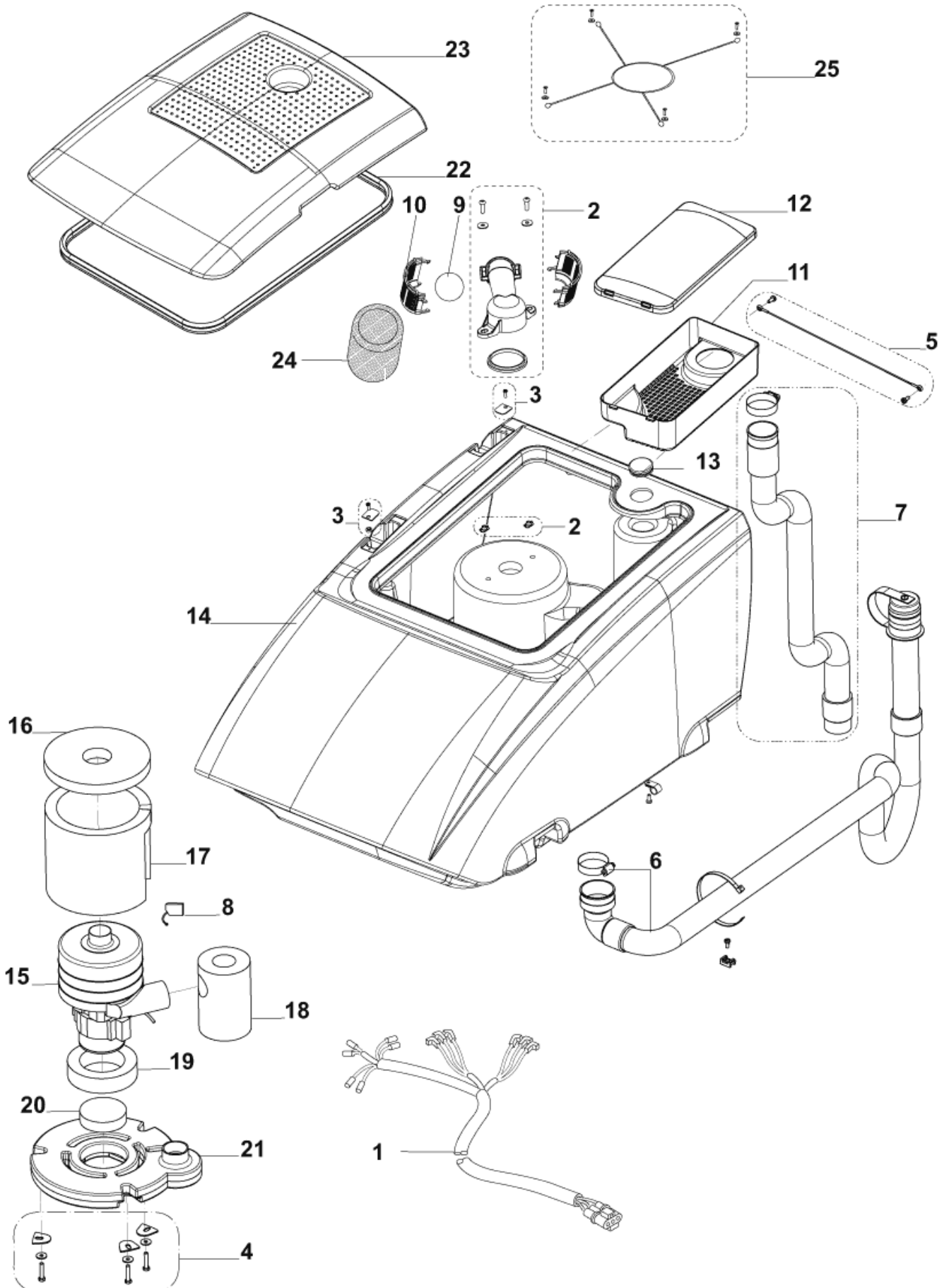
Recovery tank

BA 651/BA751/BA751C/BA851

31-03-2015

Part List ID
BA65102

7



Recovery tank

BA 651/BA751/BA751C/BA851

31-03-2015

Part List ID
BA65102

8

Pos	Part no.	Qty	Description	
0	909 6876 000	1	HARDWARE CAGE SUP.FIXING KIT	FOR OLD CAGE SUPPORT
1	9097557000	1	HARNES VACUUM MOTOR	
2	9097681000	1	CAGE FLOAT HOLDER KIT	INST.INSTR.9097680000
3	9098714000	1	FIXING TANK KIT	
4	909 6877 000	1	HARDWARE MOTOR FIXING KIT	
5	909 6874 000	1	CABLE TANK KIT	
6	9097618000	1	HOSE DRAIN KIT	
7	9099852000	1	HOSE SQUEEGEE VACUUM PKD	
8	9097653000	2	CARBON BRUSH	
9	L08812373	1	BALL FLOATING	
10	L08812259	2	CAGE FLOAT HALF	
11	9097384000	1	BASIN FILTER	
12	9097477000	1	COVER TANK FILTER	
14	9097203000	1	TANK RECOVERY 85 LT	
15	9098455000	1	MOTOR VACUUM 3 STAGE 670W 24V KIT	INST.INSTR.9098456000
15	9099929000	1	MOTOR VACUUM 3ST 24V 420W KIT	
16	9096918000	1	GASKET VACUUM MOTOR	
17	909 6491 000	1	PANEL ACOUSTIC INSULATION	
18	909 6442 000	1	PIPE.ACOUSTIC INSULATION	
19	9097555000	1	GASKET VACUUM MOTOR	
20	909 6672 000	1	FILTER	
21	909 6051 000	1	COVER VACUUM MOTOR	
22	146 0630 000	1	GASKET BULB RUBBER L.1800MM	
23	9097204000	1	COVER RECOVERY TANK	
24	909 5065 000	1	FILTER ANTIFOAMING	TSBIT 2008-002 - OPTION
25	909 6734 000	1	RUBBER BAND HOLDER KIT	OPTION

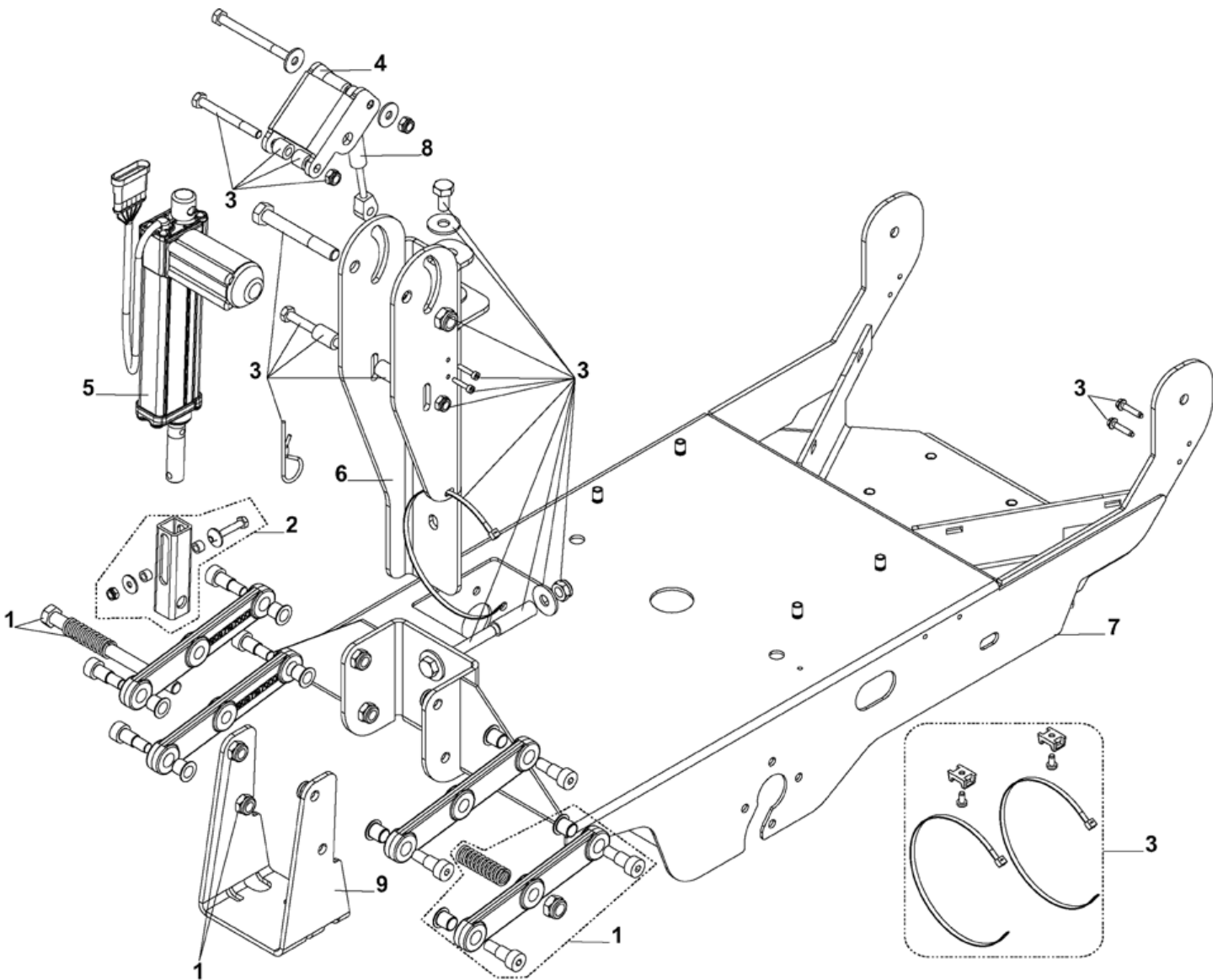
Chassis system

BA 651/BA751/BA751C/BA851

31-03-2015

Part List ID
BA65103

9



Chassis system

BA 651/BA751/BA751C/BA851

31-03-2015

Part List ID
BA65103

10

Pos	Part no.	Qty	Description
0	9098566000	1	SUPPORT SOLUTION TANK KIT INST.INSTR.9098567000
0	9100000335	1	STRAP ANTISTATIC KIT
1	9097655000	4	LEVER FIXING KIT
2	9097656000	1	MOTOR JACK FIXING KIT
3	9097657000	1	HARDWARE CHASSIS KIT
4	9097456000	1	LEVER
5	9100000680	1	ACTUATOR LINEAR 24V DC STRK 100MM PKD
6	9097368000	1	SUPPORT DECK LIFTING
7	9097364000	1	FRAME
8	909 5637 000	1	SPRING GAS
9	9097352000	1	SUPPORT BRUSH DECK

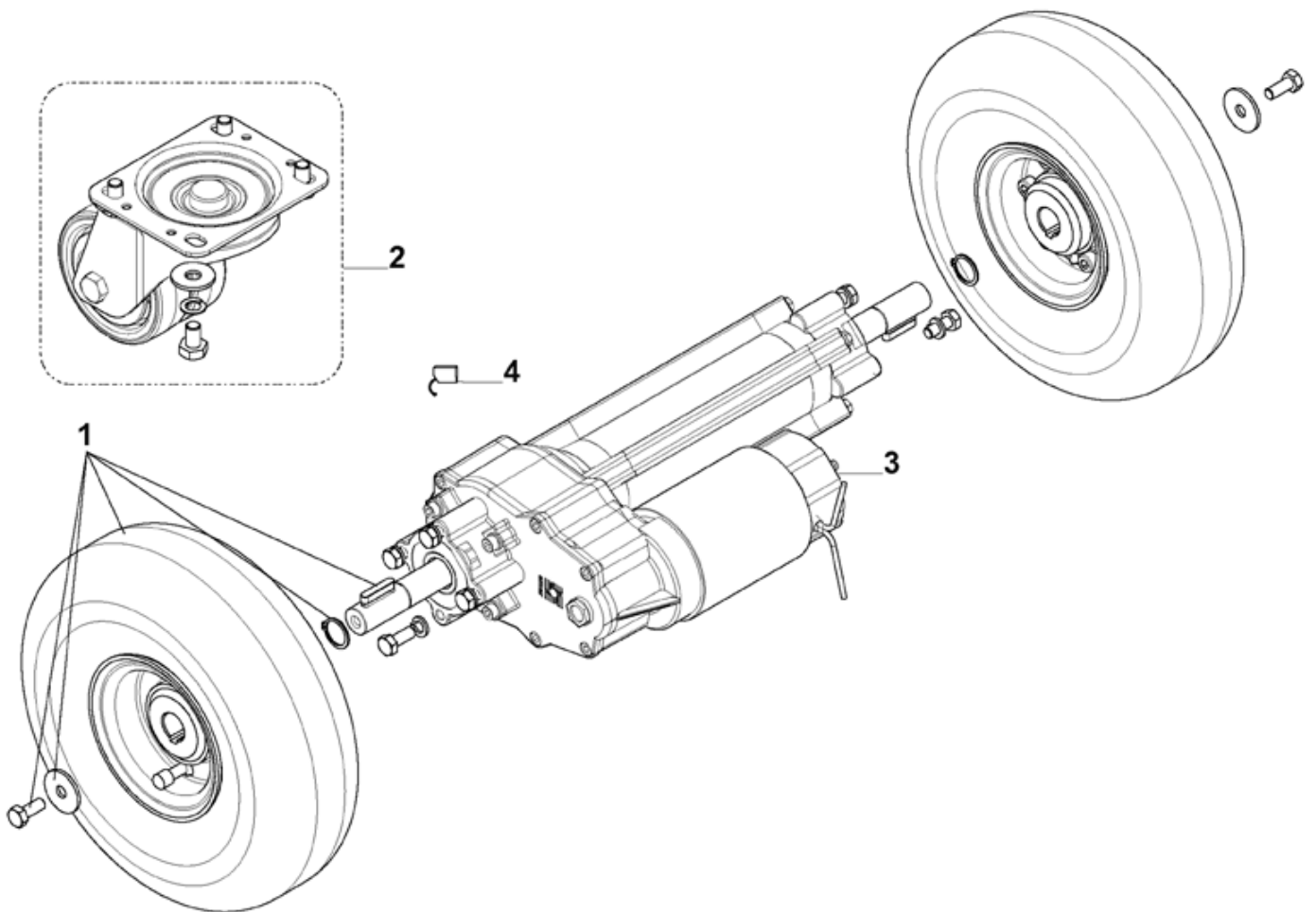
Wheels and drive

BA 651/BA751/BA751C/BA851

31-03-2015

Part List ID
BA65104

11



Wheels and drive

BA 651/BA751/BA751C/BA851

31-03-2015

Part List ID
BA65104

12

Pos	Part no.	Qty	Description	
0	909 5511 000	1	WHEEL REAR CASTOR SOFTER	OPTION - SINGLE WHEEL CASTOR
1	909 5512 000	1	WHEELS FRONT DRIVE KIT	OPTION - TWO WHEELS INCLUDED
1	9097620000	2	WHEEL FRONT DRIVE KIT	ONE WHEEL INCLUDED ONLY
2	9097621000	1	WHEEL REAR CASTOR KIT	HARDWARE INCLUDED
3	9097363000	1	MOTOR DRIVE 200W 24V	
4	1464434000	1	CARBON BRUSHES KIT 2 PCS	

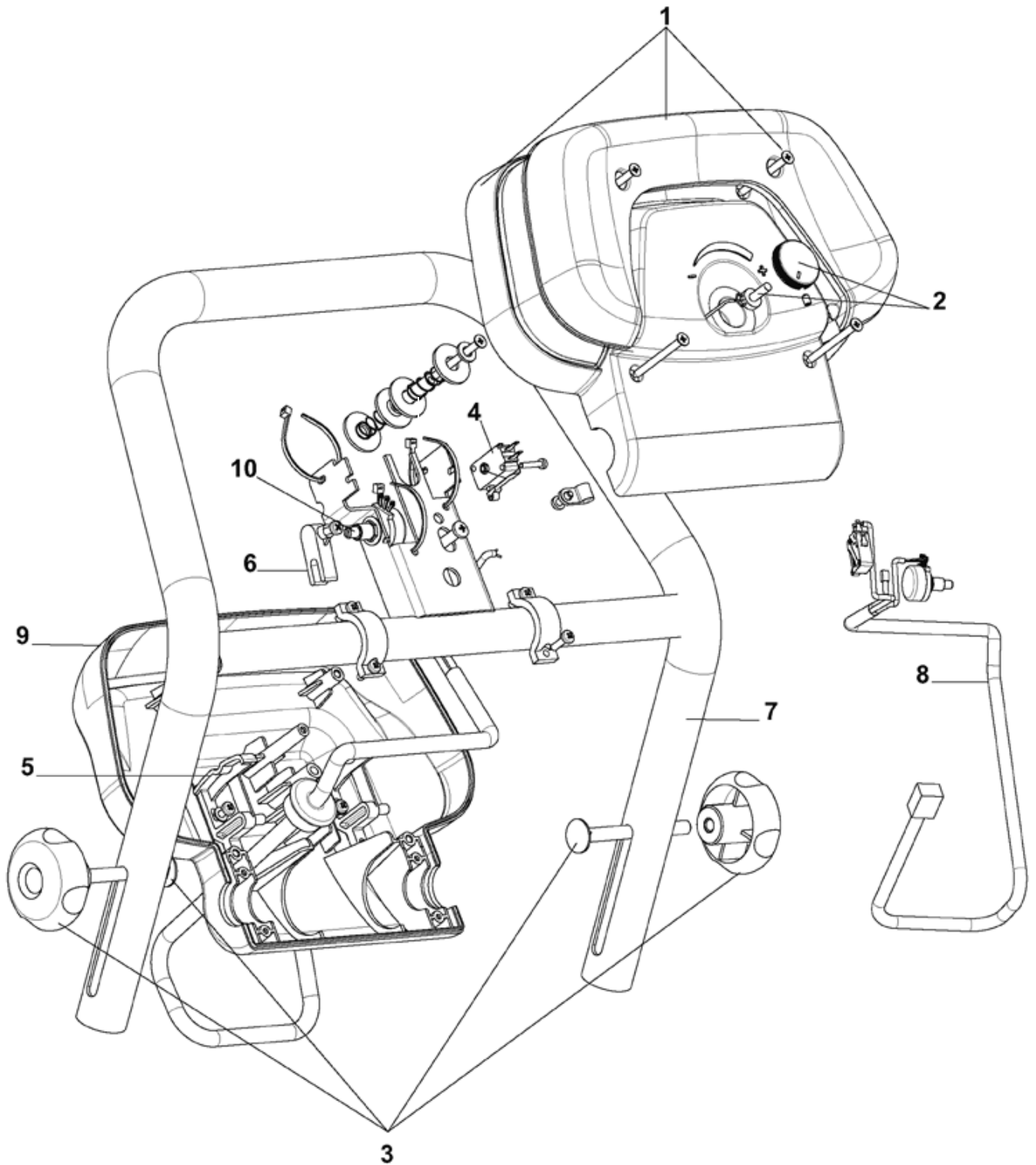
Handle assembly

BA 651/BA751/BA751C/BA851

31-03-2015

Part List ID
BA65105

13



Handle assembly

BA 651/BA751/BA751C/BA851

31-03-2015

Part List ID
BA65105

14

Pos	Part no.	Qty	Description	
0	909 6544 000	1	HARNESS POTENTIOMETER	
0	9097625000	1	HARDWARE HANDLE BAR KIT	
1	9097622000	1	HOUSING SWITCH UPPER/LOWER KIT	
2	9097623000	1	POTENTIOMETER KIT	
3	9097624000	1	HANDLE FIXING KIT	
4	910000792	1	MICROSWITCH 16A 250V PKD	
5	L08812282	2	CAM HANDLE MICROSWITCH	
6	909 6038 000	1	CONNECTING ROD F POTENTIOMETER	
7	9097377000	1	HANDLE BAR	
8	9100001014	1	HARNESS HANDLE BAR DRIVE PKD	INCLUDE POS.4-10
9	9097622000	1	HOUSING SWITCH UPPER/LOWER KIT	
9	9098792000	1	HOUSING SWITCH LOWER KIT	TSB IT 2010-60
10	56397029	1	POTENTIOMETER 5K	

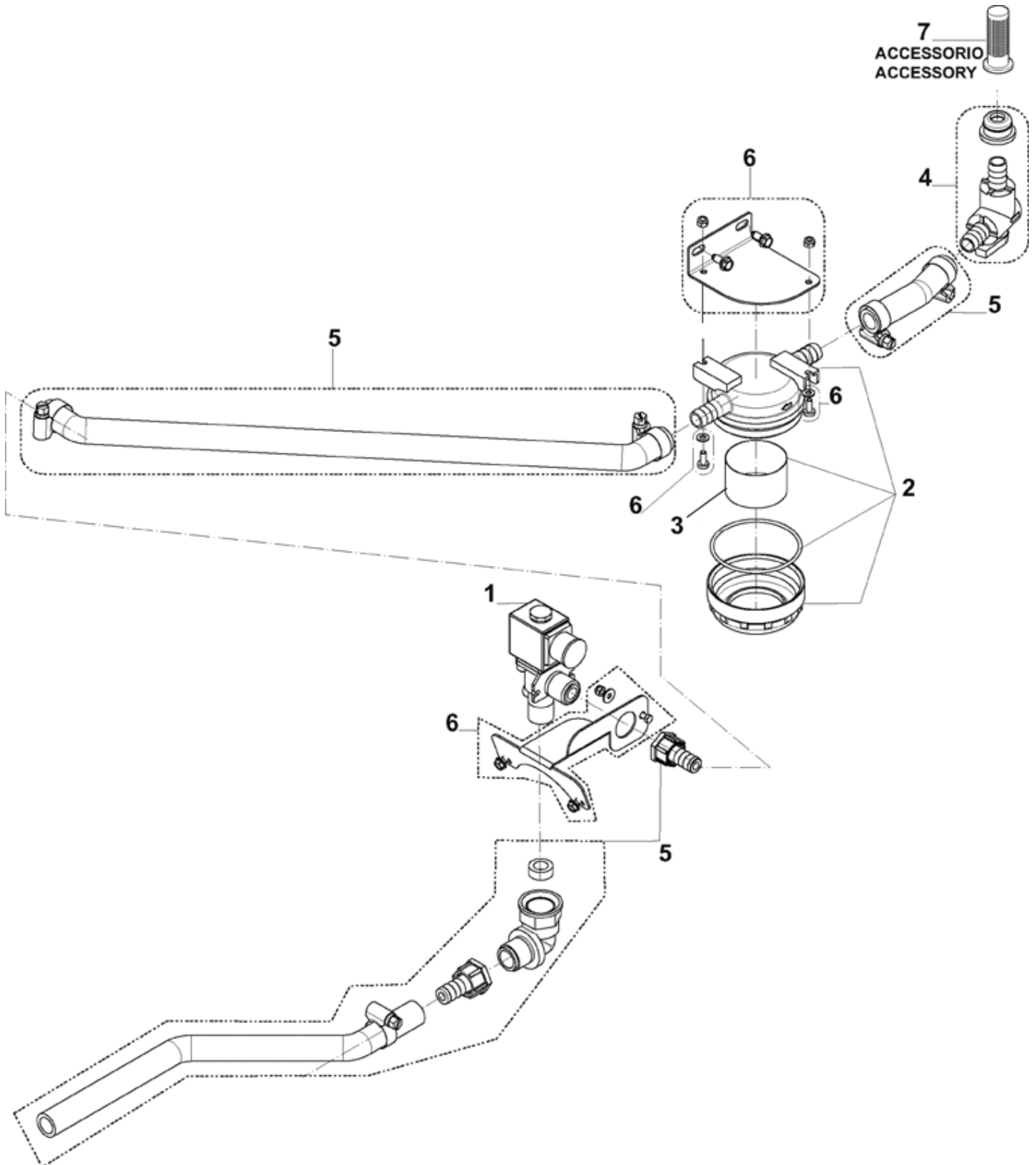
Solution system

BA 651/BA751/BA751C/BA851

31-03-2015

Part List ID
BA65106

15



Solution system

BA 651/BA751/BA751C/BA851

31-03-2015

Part List ID
BA65106

16

Pos	Part no.	Qty	Description
0	9099481000	1	NET WATER FILTER REINFORCED
1	909 6555 000	1	SOLENOID VALVE 24V
2	9100000362	1	FILTER WATER
3	9099481000	1	NET WATER FILTER REINFORCED
4	9097626000	1	VALVE BALL ELBOW D.13 KIT
5	9097627000	1	HOSES SOLUTION KIT
6	9097628000	1	HARDWARE SOLUTION SYSTEM KIT
7	9096916000	1	FILTER SOLUTION TANK OPTION

Squeegee holder

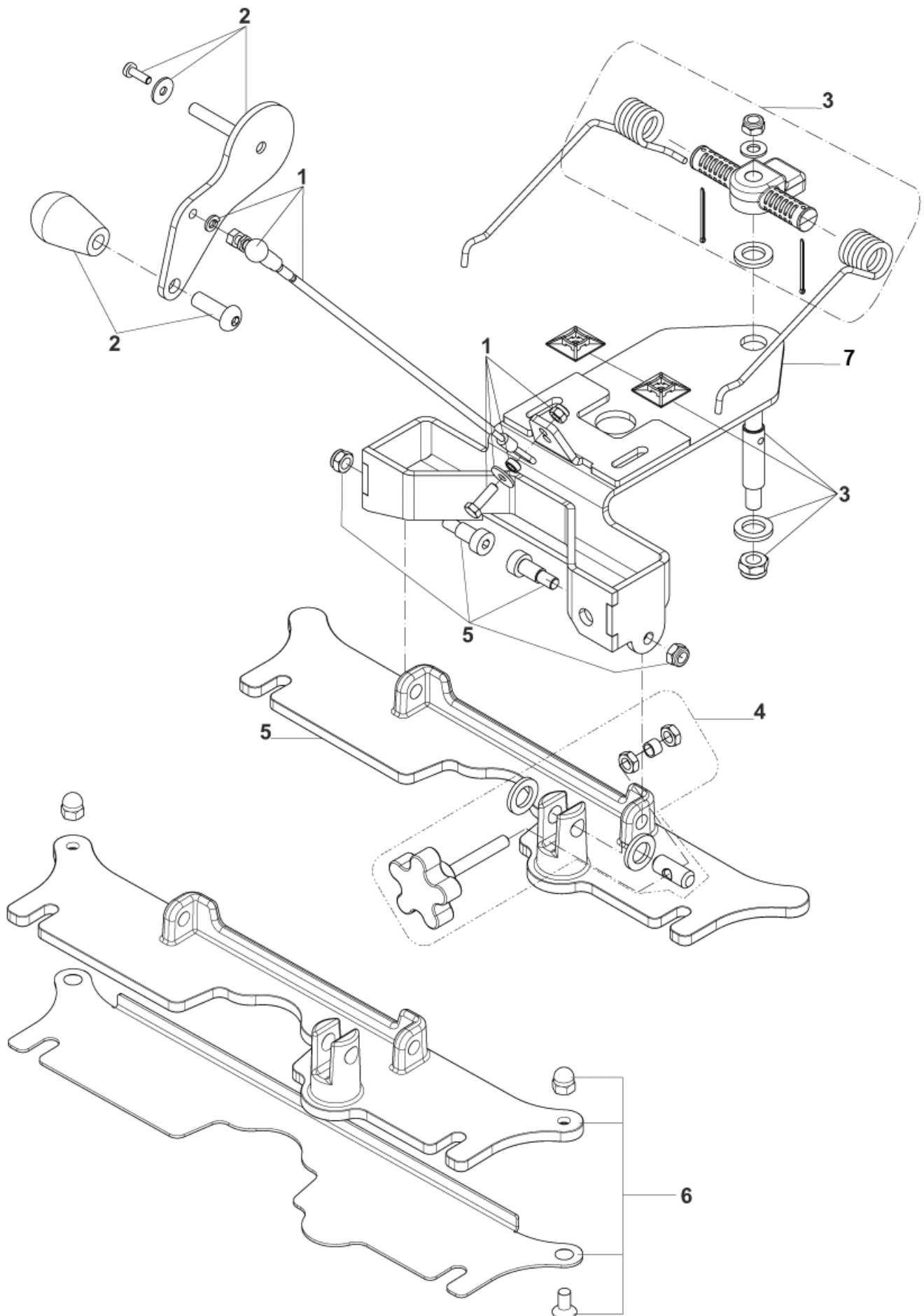
BA 651/BA751/BA751C/BA851

31-03-2015

Part List ID

BA65107

17



Squeegee holder

BA 651/BA751/BA751C/BA851

31-03-2015

Part List ID
BA65107

18

Pos	Part no.	Qty	Description	
1	9097629000	1	SQUEEGEE LIFTING KIT	
2	9097630000	1	HARDWARE SQU.LEVER FIXING KIT	
3	9097631000	1	HARDWARE SQUEEGEE KIT	
4	9097632000	1	HARDWARE SQU.HOLDER FIXING KIT	
5	9097633000	1	HOLDER SQUEEGEE KIT	
6	9098912000	1	PLATE SQUEEGEE SUPPORT KIT	BA 851 STARTING F.S/N 104824209-TSB IT 2010-062
7	9097371000	1	PLATE SQUEEGEE SUPPORT	

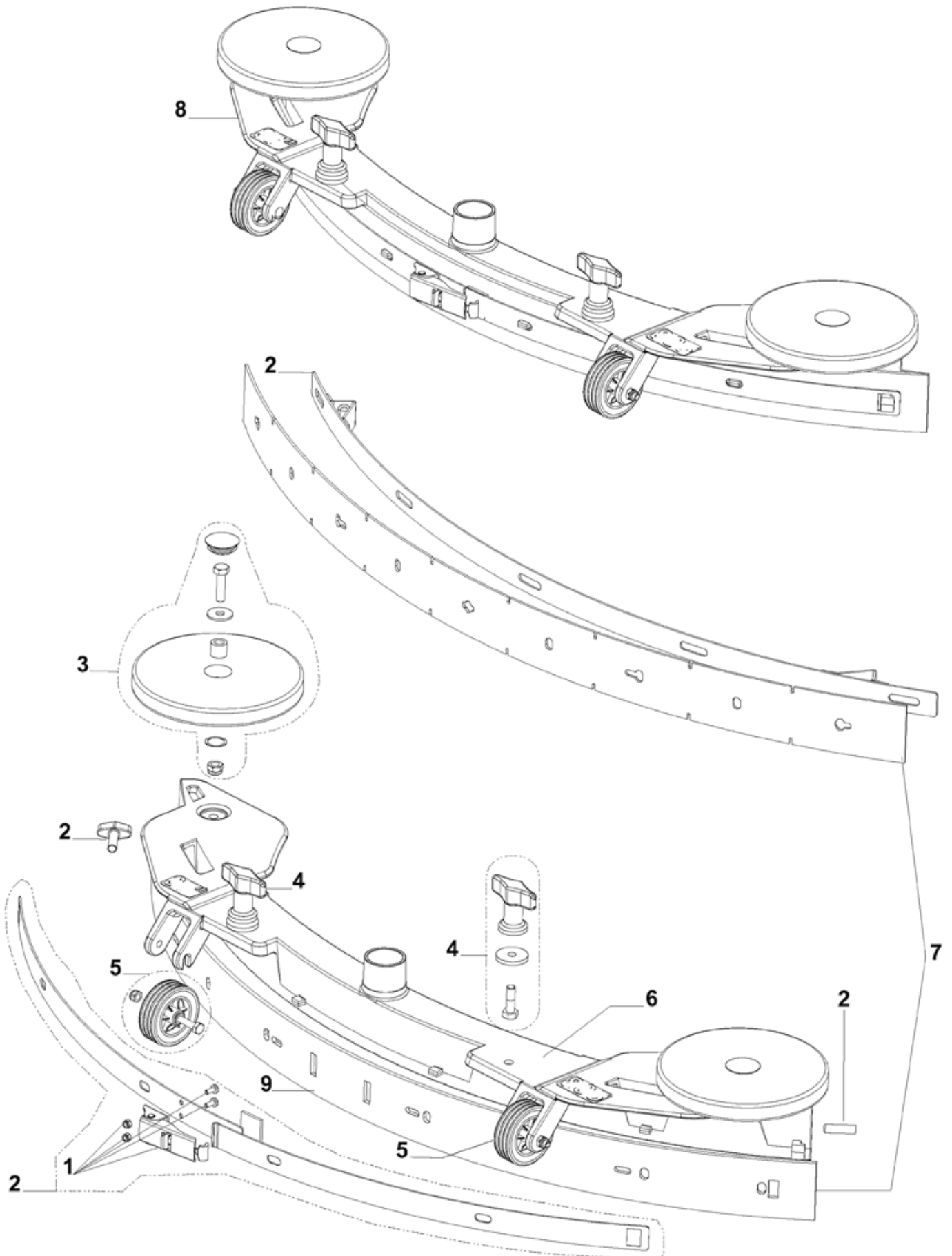
Squeegee systems

BA 651/BA751/BA751C/BA851

31-03-2015

Part List ID
BA65108

19



Squeegee systems

BA 651/BA751/BA751C/BA851

31-03-2015

Part List ID
BA65108

20

Pos	Part no.	Qty	Description
1	909 6394 000	1	LATCH SQUEEGEE KIT
2	9097635000	1	BLADES SQUEEG.FIX.35 KIT
2	9097636000	1	BLADES SQUEEG.FIX.41 KIT
3	909 6887 000	2	ROLLER BUMPER KIT
4	9097637000	1	SQUEEGEE FIXING KIT
5	909 6883 000	1	WHEELS SQUEEGEE 60X20MM KIT
6	9097199000	1	WELDMENT SQUEEGEE TOOL 890MM/35
6	9097200000	1	SQUEEGEE MOULD AL 1040MM/41
7	9100000281	1	BLADES NON MARKING 890MM/35 KIT
7	9100000282	1	BLADES NON MARKING 1040MM/41 KIT
8	9097540000	1	SQUEEGEE CPL ALU 890MM/35 KIT
8	9097541000	1	SQUEEGEE CPL ALU 1040MM/41 KIT
9	9097372000	1	BLADE REAR RUBBER 1040MM/41

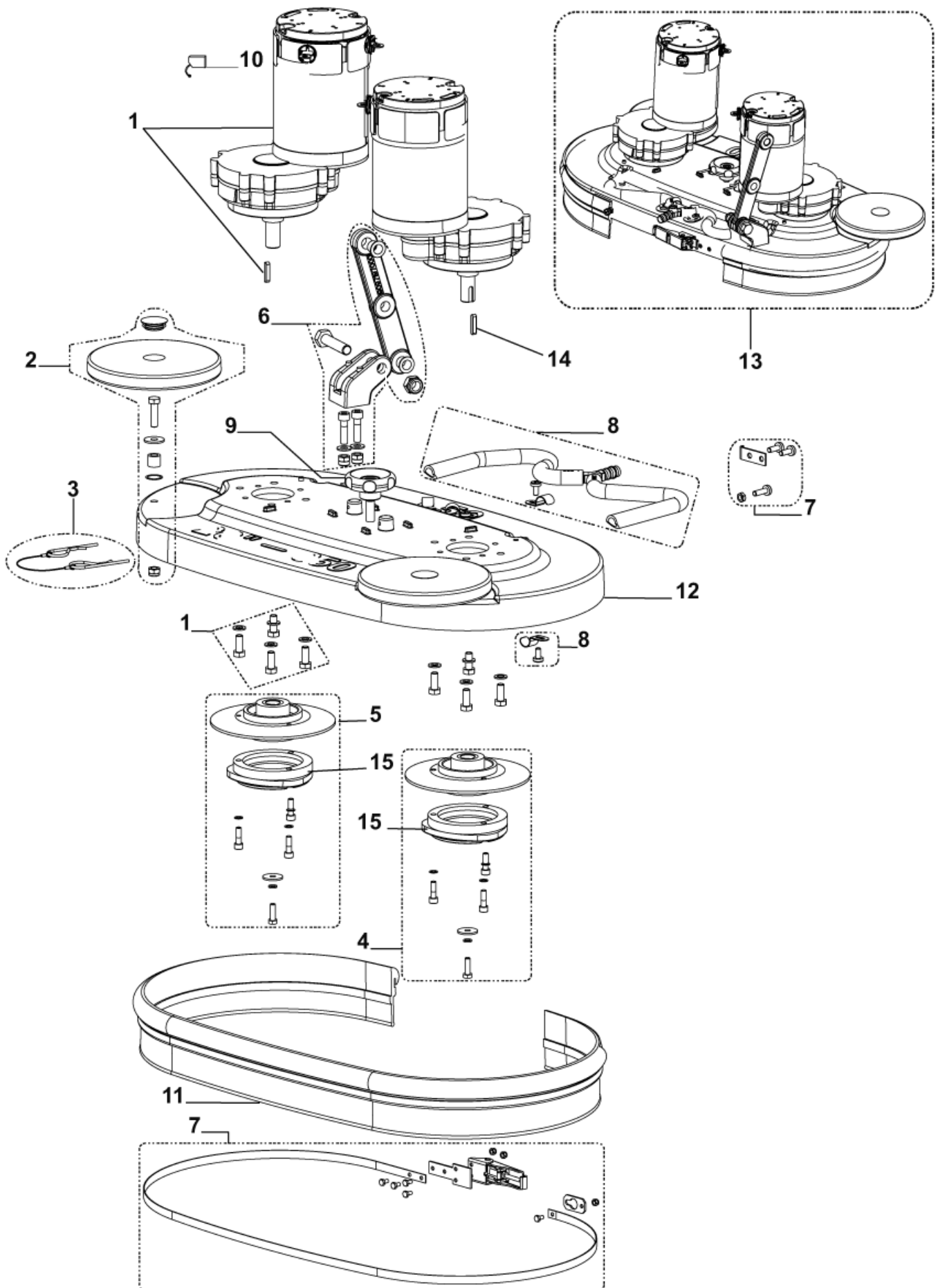
Brushes systems BA 651 - BA 751

BA 651/BA751/BA751C/BA851

31-03-2015

Part List ID
BA65109

21



Brushes systems BA 651 - BA 751

BA 651/BA751/BA751C/BA851

31-03-2015

Part List ID
BA65109

22

Pos	Part no.	Qty	Description	
0	9097410000	1	HARNESS BRUSH DECK	
1	9099546000	2	REDUCTION GEARMOTOR 24V 400W KIT	
2	909 6887 000	2	ROLLER BUMPER KIT	
3	909 6354 000	1	SPLIT PINS W/CABLE KIT	
4	9097639000	1	HOLDER POLYGONAL LEFT KIT	
5	9097640000	1	HOLDER POLYGONAL RIGHT KIT	
6	9097641000	1	LEVER FIXING KIT 650/750	
7	909 5398 000	1	SPLASH GUARD FIXING KIT	BA 651
7	909 5407 000	1	SPLASH GUARD FIXING KIT	BA 751
8	9097644000	1	HOSE WATER BRUSH DECK KIT	
8	9097645000	1	HOSE WATER BRUSH DECK 750MM/28 KIT	
9	146 1037 000	1	KNOB M10	
10	909 5380 000	1	CARBON BRUSHES W/HOLDER KIT 4PCS	FOR LEROY SOMER - REF. 9097638000
10	9098376000	2	CARBON BRUSHES KIT 4 PCS	FOR AMER - REF. 9099546000
11	909 5224 000	1	SPLASH GUARD DECK 650MM/26	
11	909 5345 000	1	SPLASH GUARD DECK 750MM/30	
11	9097474000	1	SPLASH GUARD W/BRISTLES	
11	9097475000	1	SPLASH GUARD W/BRISTLES	
12	9099414000	1	DECK BRUSH 650MM	
12	9099415000	1	DECK BRUSH 750MM	
13	9097610000	1	DECK BRUSH 650MM/26 KIT	INST.INSTR.9097695000
13	9097611000	1	DECK BRUSH 750MM/28 KIT	INST.INSTR.9097695000
14	1466146000	2	KEY 5X5X25 UNI6604A PKD	
15	L08812480	2	HUB.BRUSH	

Pos.10: 909 5380 000, before serial number 3510124902357

pos.1: 9099546000 starting from serial number 3510124902357

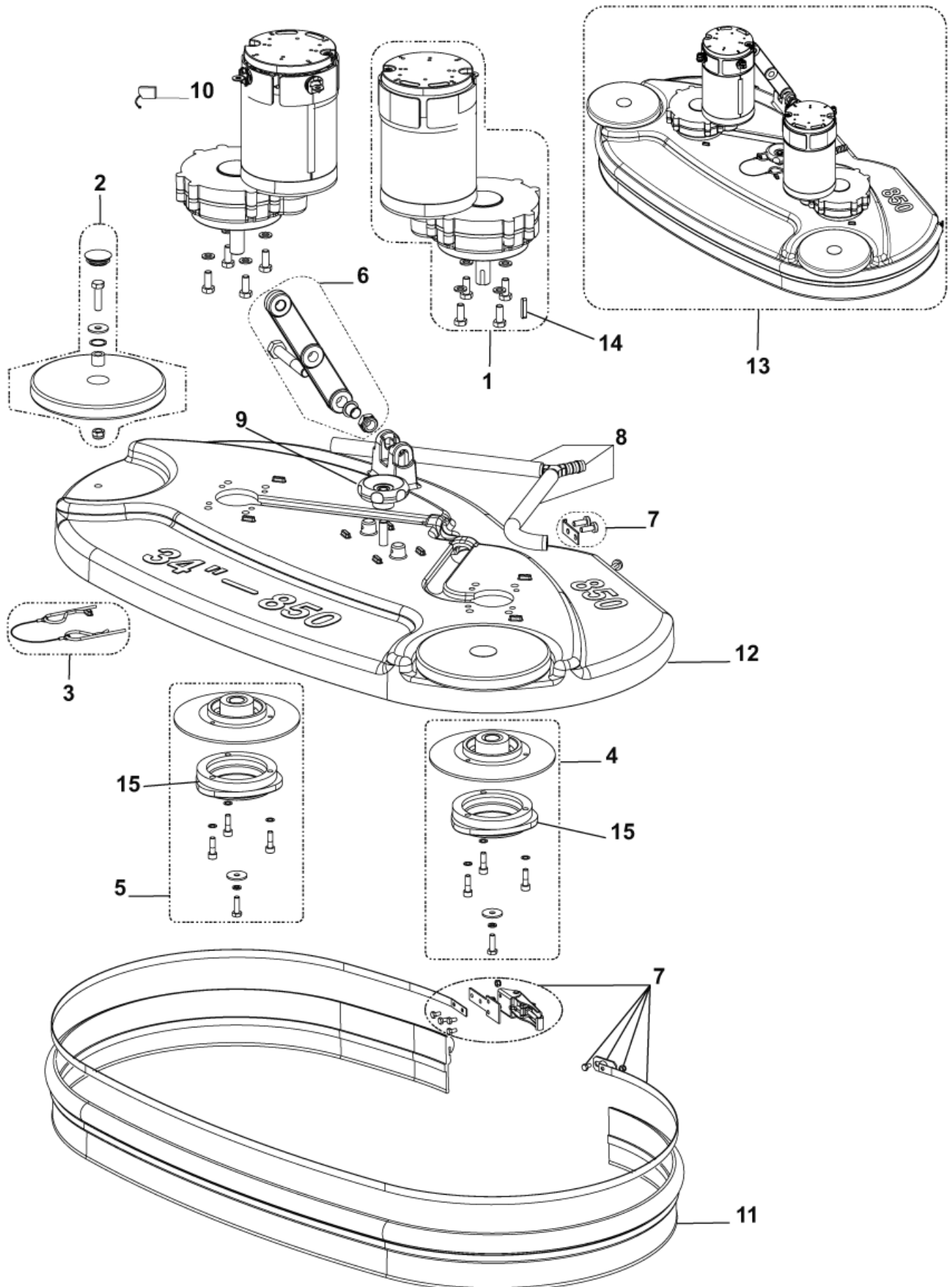
Brushes system BA 851

BA 651/BA751/BA751C/BA851

31-03-2015

Part List ID
BA65110

23



Brushes system BA 851

BA 651/BA751/BA751C/BA851

31-03-2015

Part List ID
BA65110

24

Pos	Part no.	Qty	Description	
0	9097410000	1	HARNES BRUSH DECK	
1	9100000309	2	REDUCTION GEARMOTOR 400W 24V KIT	
2	909 6887 000	2	ROLLER BUMPER KIT	
3	909 6354 000	1	SPLIT PINS W/CABLE KIT	
4	9097639000	1	HOLDER POLYGONAL LEFT KIT	
5	9097640000	1	HOLDER POLYGONAL RIGHT KIT	
6	9097642000	1	LEVER FIXING KIT 850	
7	9097643000	1	SPLASH GUARD FIXING KIT	
8	9097646000	1	HOSE WATER BRUSH DECK 850MM/34 KIT	
9	146 1037 000	1	KNOB M10	
10	909 5380 000	2	CARBON BRUSHES W/HOLDER KIT 4PCS	FOR MOTOR 9097638000
10	9100000421	2	CARBON BRUSHES W/HOLDER KIT	FOR MOTOR 9100000309
11	9097471000	1	SPLASH GUARD DECK 850MM/34	
11	9097476000	1	SPLASH GUARD W/BRISTLES	
12	9097201000	1	DECK BRUSH	
13	9097612000	1	DECK BRUSH 850MM/34 KIT	INST.INSTR.9097695000
14	1466147000	2	KEY 5X5X20 UNI6604A PKD	
15	L08812480	2	HUB.BRUSH	

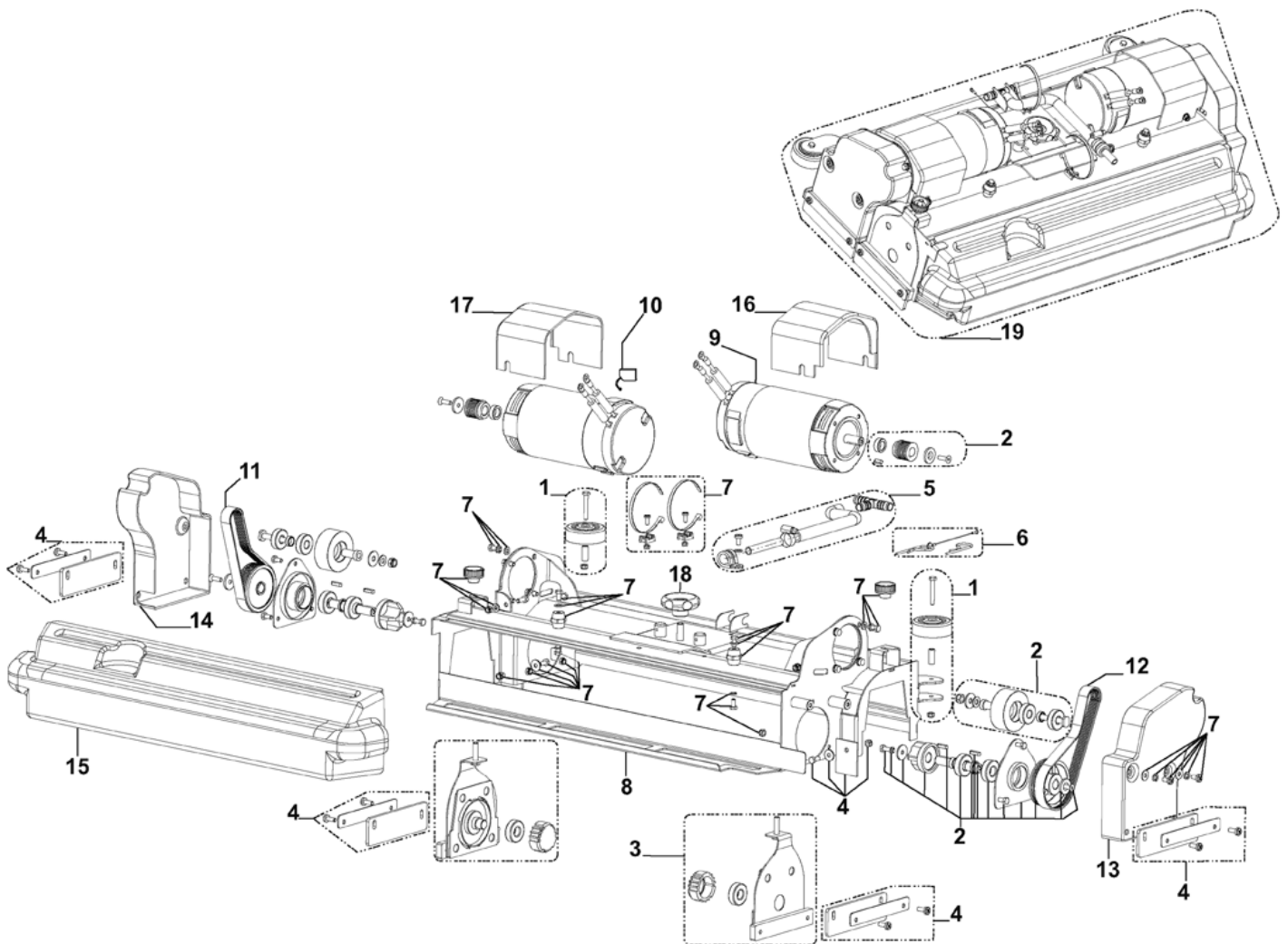
Cylindrical brushes system

BA 651/BA751/BA751C/BA851

31-03-2015

Part List ID
BA65111

25



Cylindrical brushes system

BA 651/BA751/BA751C/BA851

31-03-2015

Part List ID
BA65111

26

Pos	Part no.	Qty	Description	
0	9097472000	1	HARNESS CYLINDRICAL BRUSHDECK	
1	9098488000	1	ROLLERS BUMPERS KIT	
2	9097658000	2	BELT KIT	
3	9097659000	2	BRUSH HOLDER KIT	
4	9097660000	1	SPLASH GUARDS KIT	
5	9097661000	1	HOSE WATER KIT	
6	909 6354 000	1	SPLIT PINS W/CABLE KIT	
7	9097662000	1	HARDWARE CYL.BRUSH DECK KIT	
8	909 5751 000	1	FRAME CYLINDRICAL DECK 750	
9	9099858000	2	MOTOR ELECTRIC 600W 24V KIT	
10	L08603949	2	CARBON BRUSHES KIT 4 PCS	
11	909 6731 000	1	BELT POLY-V	
12	909 5761 000	1	BELT POLY-V	
13	909 6785 000	1	CRANKCASE.BELT PROTECTIONRIGHT	
14	909 6786 000	1	CRANKCASE.BELT PROTECTIONLEFT	
15	909 6225 000	1	CONTAINER WASTE	
16	909 5802 000	1	CRANKCASE MOTOR PROTECT.	
17	909 5803 000	1	CRANKCASE MOTOR PROTECT.	
18	146 1037 000	1	KNOB M10	
19	9097652000	1	DECK BRUSH 750MM/28 CYL KIT	INST.INSTR.9097695000-COMPLEXITY REDUCTION

Control panel system

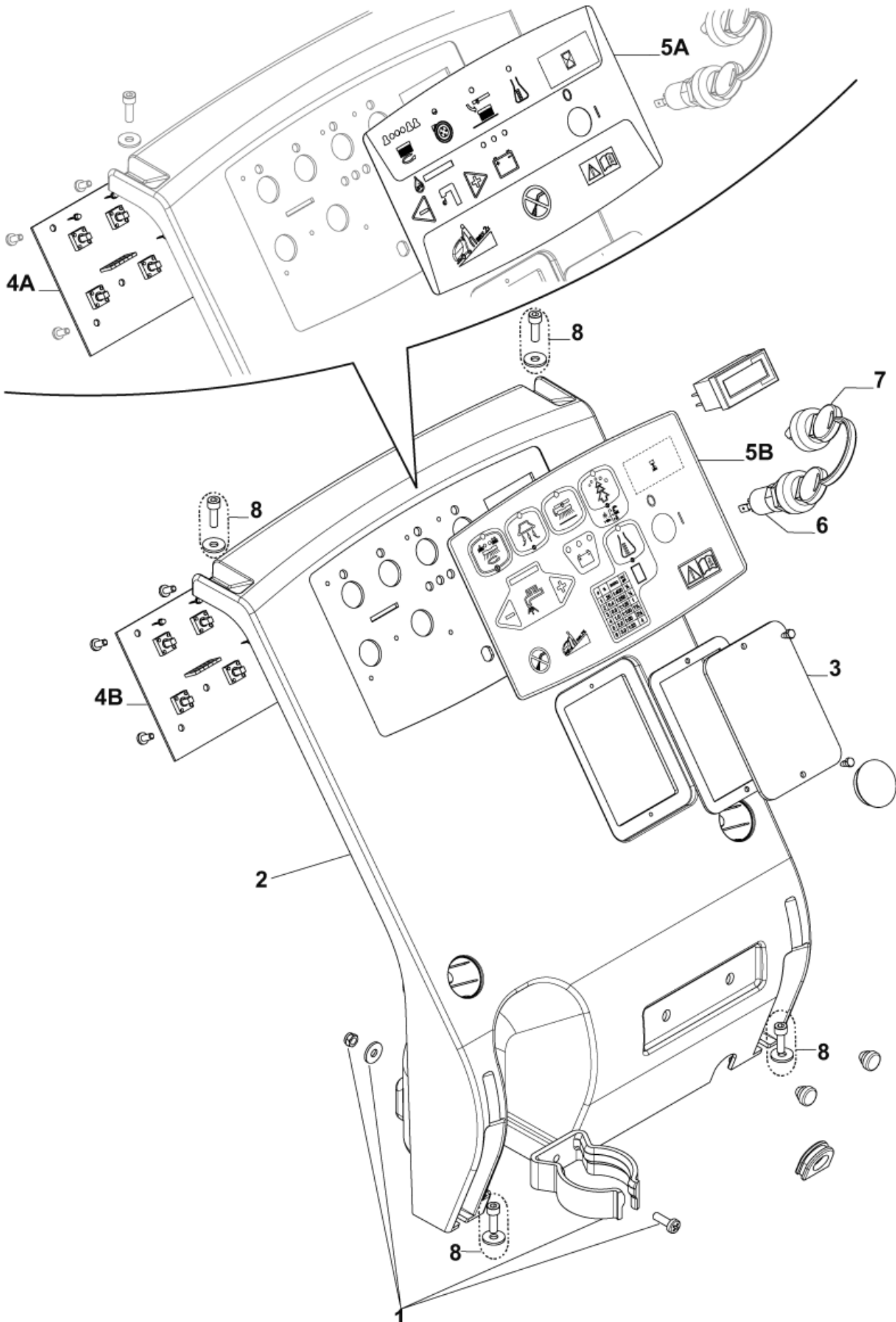
BA 651/BA751/BA751C/BA851

31-03-2015

Part List ID

BA65112

27



Control panel system

BA 651/BA751/BA751C/BA851

31-03-2015

Part List ID
BA65112

28

Pos	Part no.	Qty	Description	
0	9097403000	1	HARNESS KEY	
1	909 6380 000	1	CLAMP KIT	
2	9098632000	1	COVER ELECTRIC COMPONENTS	
3	9100001065	1	COVER F INSPECTION PLATE BLACK PKD	
6	146 2888 000	1	SWITCH KEY WITH CAP	
7	146 2887 000	1	KEY 2 PCS	
8	9098302000	1	HARDWARE CONTROL PANEL KIT	
4A	9100000177	1	CARD ELECTRONIC FUNCTIONS PKD	UNTIL MAY 2010
4B	9100000180	1	CARD ELECTRONIC FUNCTIONS PKD	FROM JUNE 2010
5A	9097382000	1	DECAL CONTROL PANEL	DISC MODELS UNTIL MAY 2010
5A	9097479000	1	DECAL CONTROL PANEL	CYL. MODEL UNTIL MAY 2010
5B	9100001244	1	DECAL CONTROL PANEL ECOFLEX PKD	DISC MODELS FROM JUNE 2010
5B	9100001245	1	DECAL CONTROL PANEL ECOFLEX PKD	CYL. MODEL FROM JUNE 2010
NI		1	DECAL NILFISK BA 751 ECOFLEX	
NI		1	DECAL NILFISK BA 751C ECOFLEX	
NI		1	DECAL NILFISK BA 851 ECOFLEX	
NI		1	DECAL NILFISK BA 651 ECOFLEX	
NI		1	DECAL NILFISK BA 551D ECOFLEX	
NI		1	DECAL NILFISK BA 611D ECOFLEX	
NI		1	DECAL NILFISK BA 531D ECOFLEX	
NI		1	DECAL NILFISK BA 451D ECOFLEX	

Electrical components

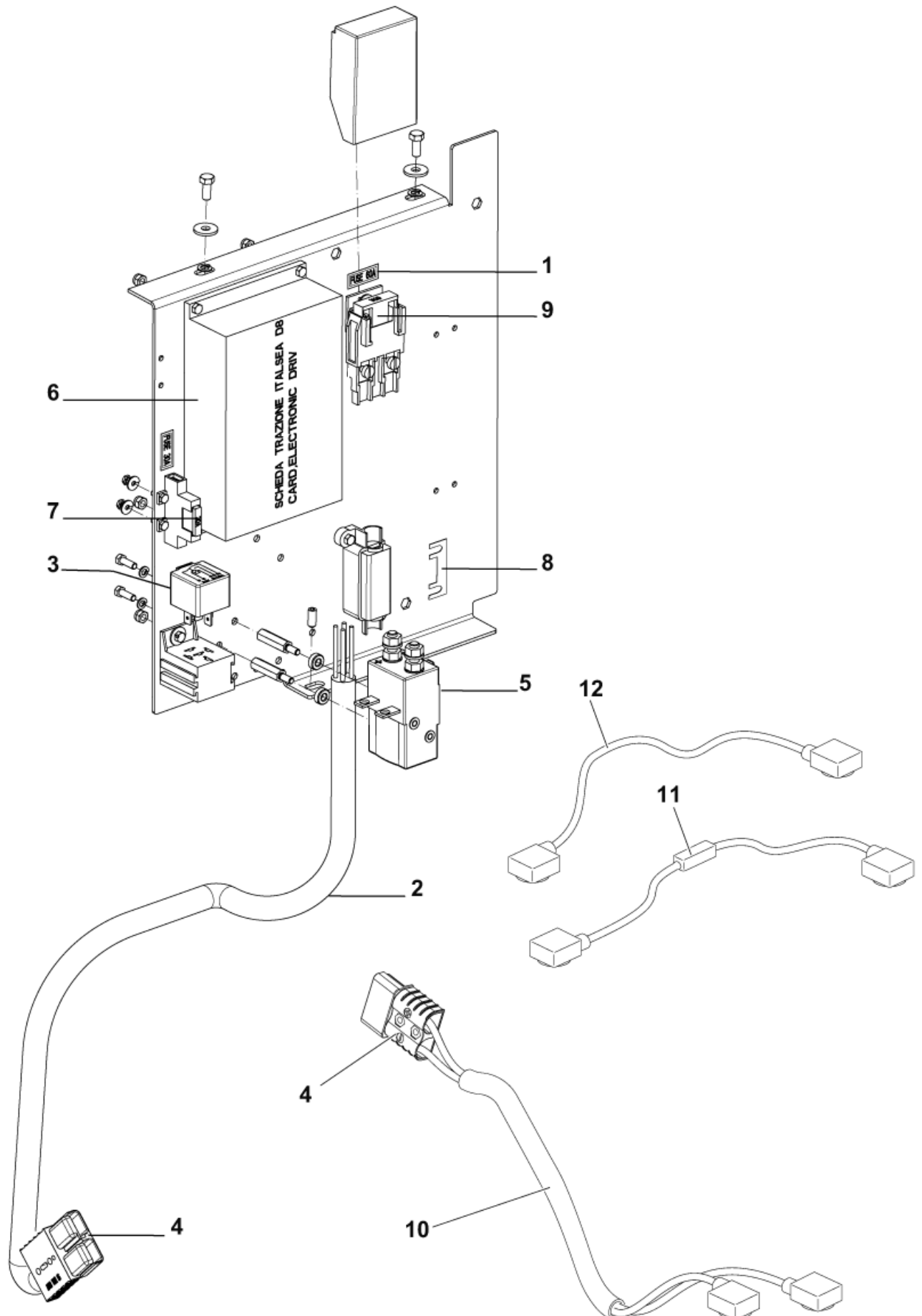
BA 651/BA751/BA751C/BA851

31-03-2015

Part List ID

BA65113

29



Electrical components

BA 651/BA751/BA751C/BA851

31-03-2015

Part List ID
BA65113

30

Pos	Part no.	Qty	Description
0	9097407000	1	HARNESS MACHINE
0	9097410000	1	HARNESS BRUSH DECK
0	9097472000	1	HARNESS CYLINDRICAL BRUSHDECK
0	L08812670	4	RESTRAINT. BATTERY
1	9097650000	1	DECALS BA 651/751/851/EDS KIT
2	9097408000	1	HARNESS EL.COMPON.BOX
3	909 6622 000	1	RELAY 24V 40A
4	9098762000	2	CONNECTOR 120A RED
5	909 5127 000	1	SWITCH ELECTROMAGNETIC 24V D
6	9100000189	1	CARD ELECTRONIC TRACTION PKD
7	145 8513 000	1	FUSE BLADE 30A UL
8	145 9854 000	1	FUSE 50A
9	909 6218 000	1	FUSE 60A
10	909 6125 000	1	HARNESS BATTERY
11	9098526000	1	CABLE BATTERY WITH FUSE
12	9097590000	1	CABLE BATTERY INTERCONNECTION

Battery charger

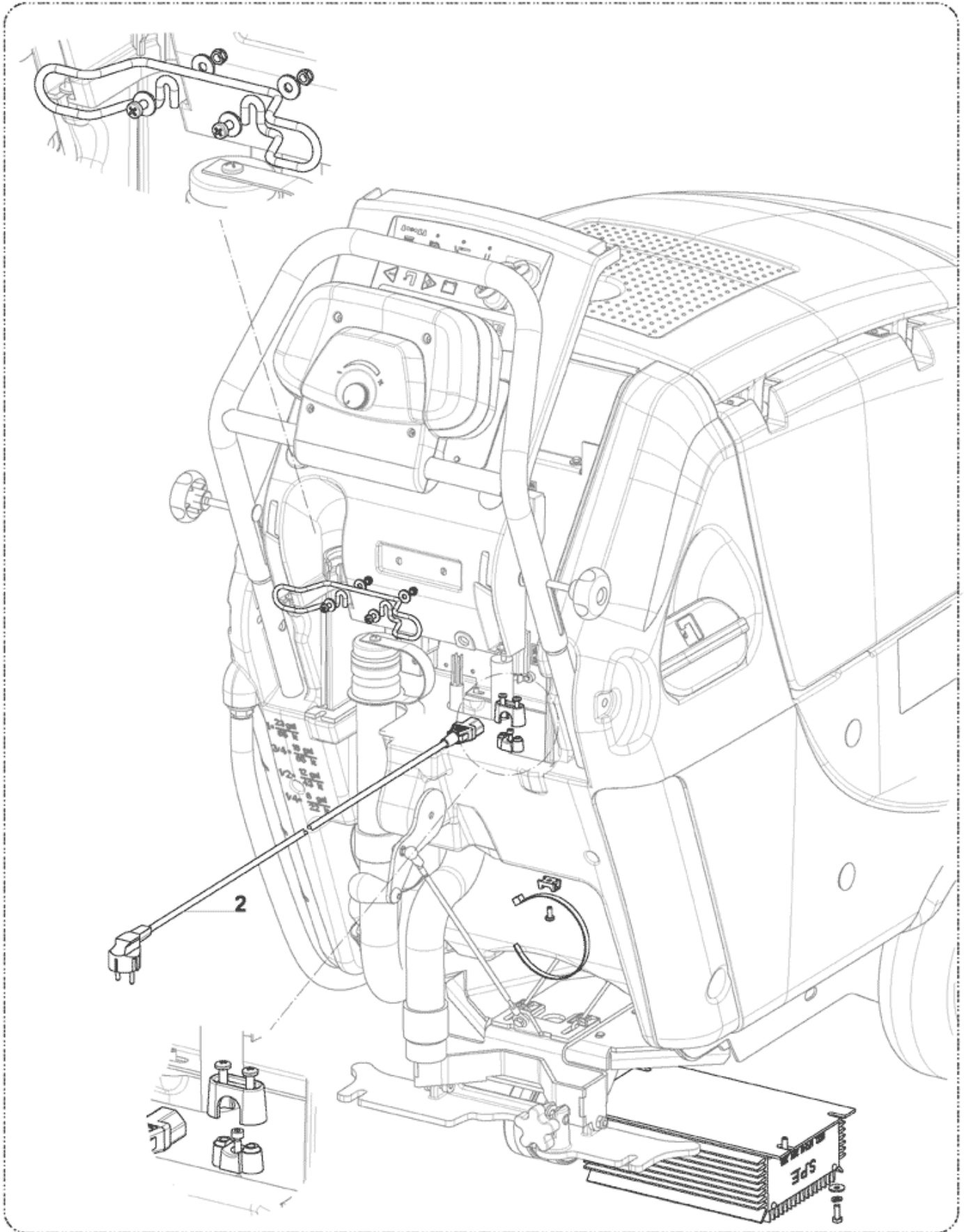
BA 651/BA751/BA751C/BA851

31-03-2015

Part List ID

BA65114

31



1

Battery charger

BA 651/BA751/BA751C/BA851

31-03-2015

Part List ID
BA65114

32

Pos	Part no.	Qty	Description	
0	9099679000	1	CHARGER BATT. ON BOARD 24V 25A 230V	SEE TSB IT 2012-088
1	9097597000	1	CHARGER BATT. ON BOARD 24V 25A 230V KIT	INST.INSTR.9097598000
2	909 5676 000	1	CABLE EXTENSION UK PLUG L.1000MM	
2	9100000790	1	CABLE EXTENSION EU PLUG L.1000MM PKD	

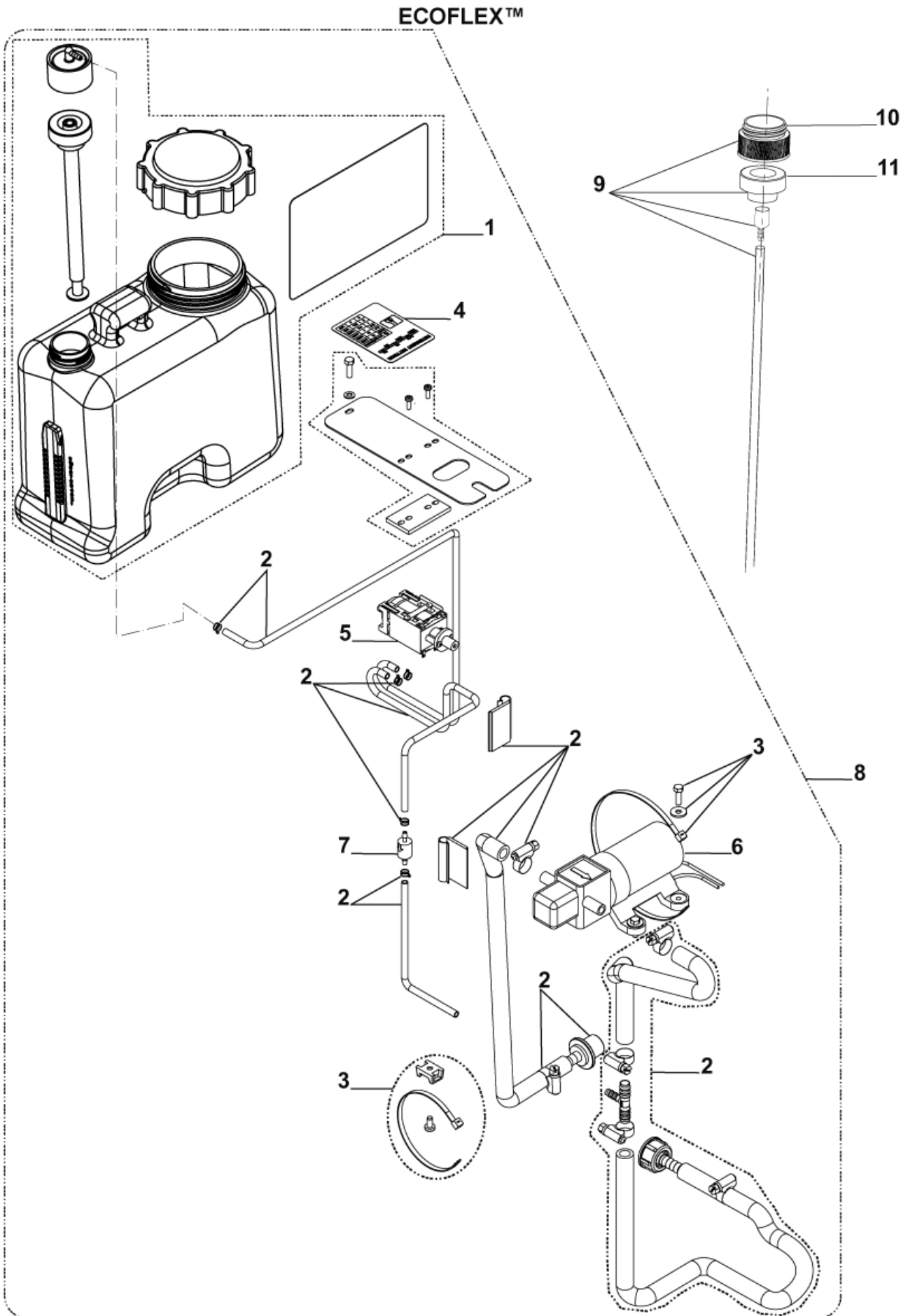
Accessory - EcoFlex system

BA 651/BA751/BA751C/BA851

31-03-2015

Part List ID
BA65115

33



Accessory - EcoFlex system

BA 651/BA751/BA751C/BA851

31-03-2015

Part List ID
BA65115

34

Pos	Part no.	Qty	Description
0	9097412000	1	CABLE CHEMICAL SYSTEM
1	909 6903 000	1	TANK CHEMICAL KIT
2	9097678000	1	HOSES EDS SYSTEM KIT
3	9097679000	1	HARDWARE EDS SYSTEM FIXING KIT
4	909 6592 000	1	DECAL DETERGENT ADJUST.
5	909 6183 000	1	PUMP CHEMICAL MIX
6	56315108	1	PUMP 24V
7	56315522	1	CHECK VALVE 1/8 BARB 125PSI
8	9097457000	1	ECOFLEX CHEMICAL KIT INST.INSTR.9097009000
9	9098025000	1	ADAPTER CHEMICAL KIT
10	9097023000	1	ADAPTER CHEMICAL TANK
11	9097022000	1	SENSOR CHEMICAL MIX LEVEL

Accessory - Squeegee system 840mm/33"

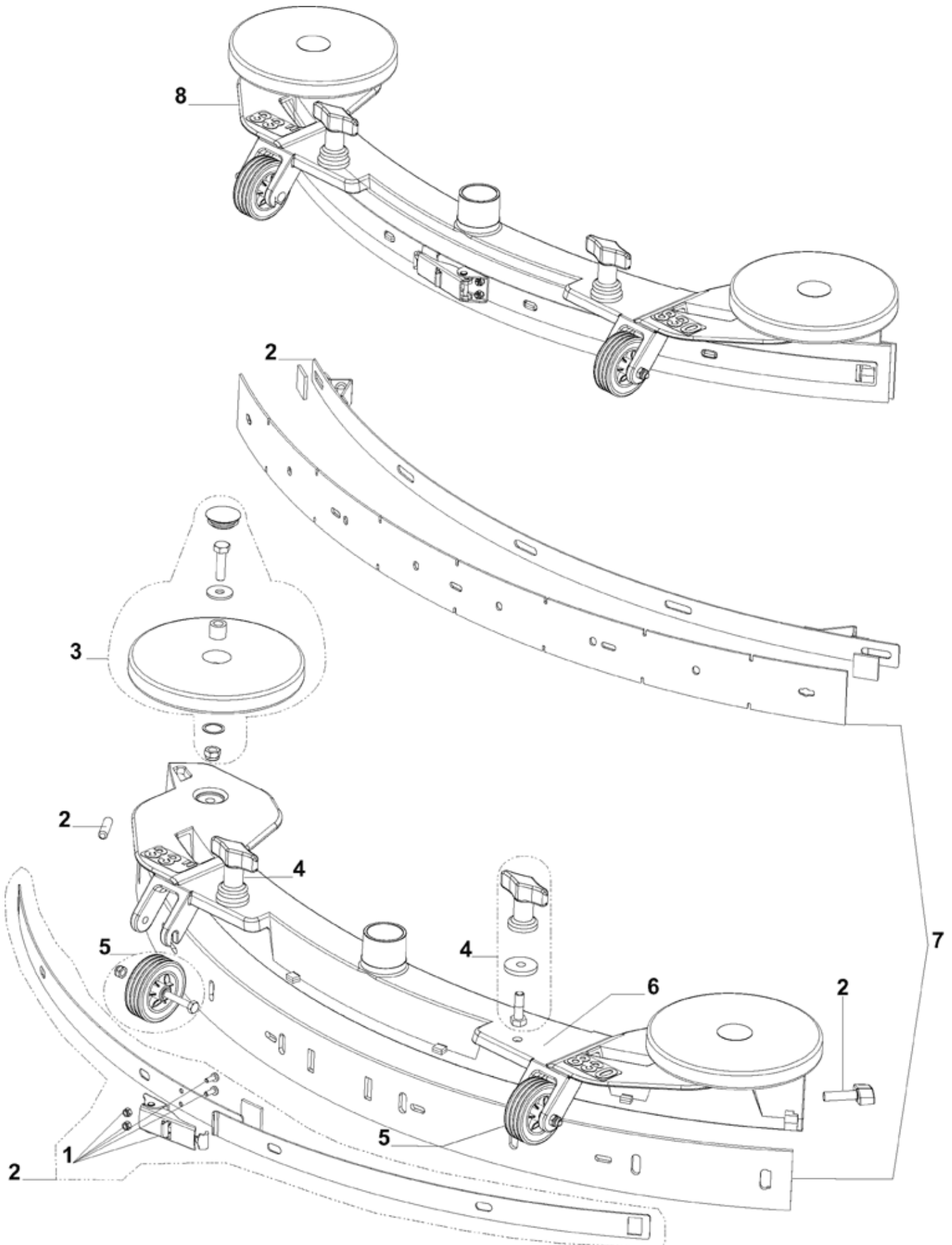
BA 651/BA751/BA751C/BA851

31-03-2015

Part List ID

BA65116

35



Accessory - Squeegee system 840mm/33"

BA 651/BA751/BA751C/BA851

31-03-2015

Part List ID

BA65116

36

Pos	Part no.	Qty	Description
1	909 6394 000	1	LATCH SQUEEGEE KIT
2	9097634000	1	SQUEEGEE BLADES FIXING KIT
3	909 6887 000	2	ROLLER BUMPER KIT
4	9097637000	1	SQUEEGEE FIXING KIT
5	909 6883 000	1	WHEELS SQUEEGEE 60X20MM KIT
6	9097198000	1	WELDMENT.SQUEEGEE TOOL
7	9100000280	1	BLADES NON MARKING 840MM/33 KIT
8	9097539000	1	SQUEEGEE CPL ALU 840MM/33 KIT

Accessory - Brush deck 600mm/24"

BA 651/BA751/BA751C/BA851

31-03-2015

Part List ID

BA65117

38

Pos	Part no.	Qty	Description	
0	9097410000	1	HARNESS BRUSH DECK	
1	9099546000	2	REDUCTION GEARMOTOR 24V 400W KIT	
2	909 6887 000	2	ROLLER BUMPER KIT	
3	909 6354 000	1	SPLIT PINS W/CABLE KIT	
4	9097497000	1	HUB LEFT BRUSH KIT	
5	9097496000	1	HUB RIGHT BRUSH KIT	
6	9097641000	1	LEVER FIXING KIT 650/750	
7	909 5398 000	1	SPLASH GUARD FIXING KIT	
8	9097648000	1	HOSE WATER BRUSH DECK 610MM/24 KIT	
9	146 1037 000	1	KNOB M10	
10	909 5380 000	2	CARBON BRUSHES W/HOLDER KIT 4PCS	FOR LEROY SOMER REF. 9097638000
10	9098376000	1	CARBON BRUSHES KIT 4 PCS	FOR AMER REF. 9099546000
11	909 5224 000	1	SPLASH GUARD DECK 650MM/26	
12	909 5344 000	1	DECK BRUSH	
13	9097522000	1	DECK BRUSH 600MM/24 KIT	INST.INSTR.9097695000-COMPLEXITY REDUCTION
14	1466146000	2	KEY 5X5X25 UNI6604A PKD	
15	L08812480	2	HUB.BRUSH	

Accessory - Brushes - Pads - Squeegee blades

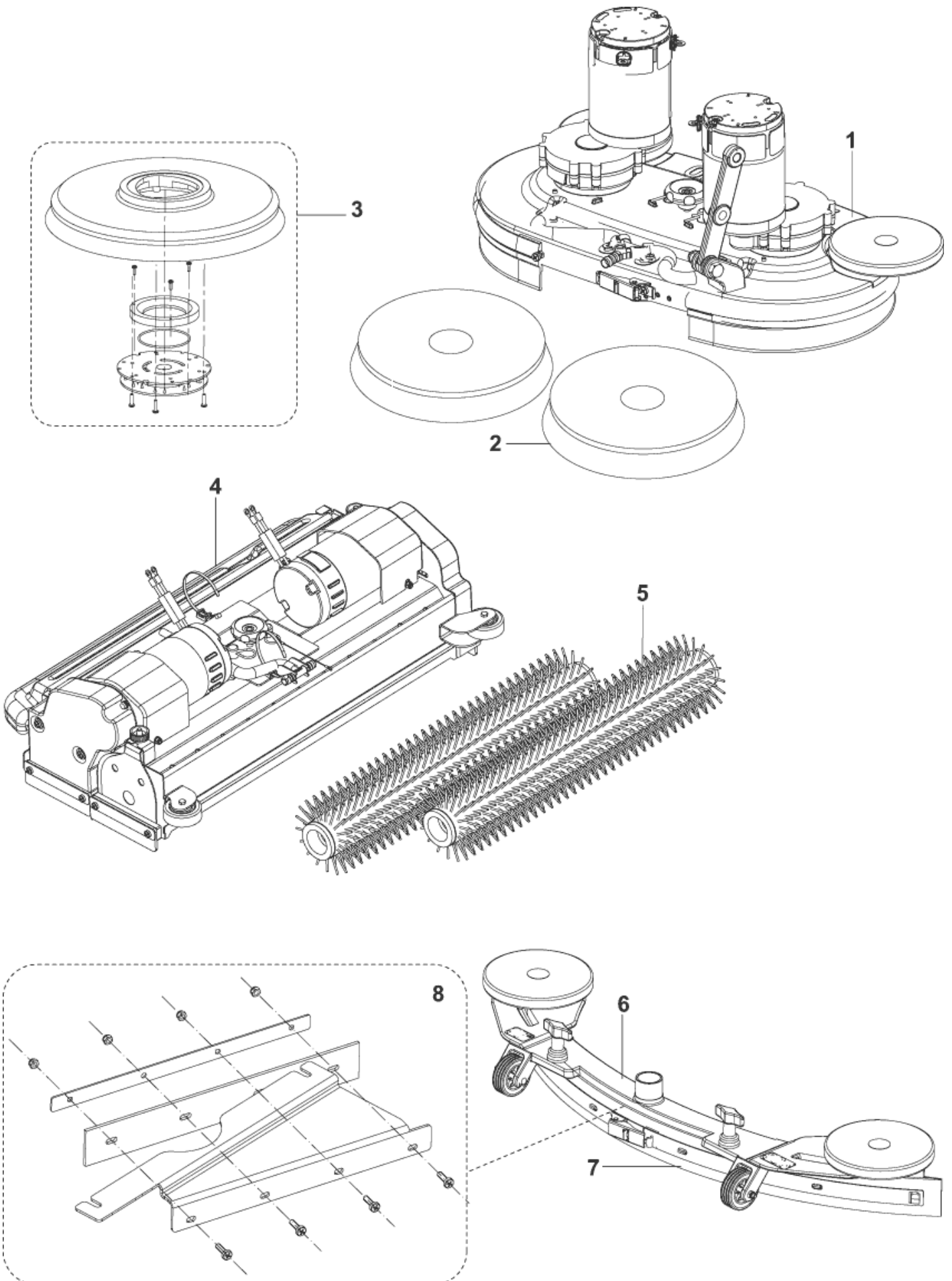
31-03-2015

Part List ID

BA65118

39

BA 651/BA751/BA751C/BA851



Accessory - Brushes - Pads - Squeegee blades

BA 651/BA751/BA751C/BA851

31-03-2015

Part List ID BA65118

40

Pos	Part no.	Qty	Description	
1	9097522000	1	DECK BRUSH 600MM/24 KIT	INST.INSTR.9097695000-COMPLEXITY REDUCTION
1	9097610000	1	DECK BRUSH 650MM/26 KIT	INST.INSTR.9097695000
1	9097611000	1	DECK BRUSH 750MM/28 KIT	INST.INSTR.9097695000
1	9097612000	1	DECK BRUSH 850MM/34 KIT	INST.INSTR.9097695000
2	909 5332 000	2	BRUSH DISC 330MM 13 PROLENE	
2	909 5333 000	2	BRUSH DISC 370MM 14.5 PROLENE	
2	909 5334 000	2	BRUSH DISC 330MM 13 MID GRIT 240	
2	909 5335 000	2	BRUSH DISC 370MM 14.5 MID GRIT 240	
2	909 5336 000	2	BRUSH DISC 330MM 13 MIDLITE GRIT 180	
2	909 5337 000	2	BRUSH DISC 370MM 14.5 MIDLITE GRIT 180	
2	909 5338 000	2	BRUSH DISC 330MM 13 PROLITE	
2	909 5339 000	2	BRUSH DISC 370MM 14.5 PROLITE	
2	909 5340 000	2	BRUSH DISC 330MM 13 UNION MIX	COMPLEXITY REDUCTION
2	909 5341 000	2	BRUSH d.370 UNION MIX	COMPLEXITY REDUCTION
2	9097469000	2	BRUSH DISC 430MM 17 PROLENE	
2	9097578000	2	BRUSH DISC 430MM 17 MID GRIT 240	
2	9097579000	2	BRUSH DISC 430MM 17 MIDLITE GRIT 180	
2	9097580000	2	BRUSH DISC 430MM 17 PROLITE	
2	9097581000	2	BRUSH DISC 430MM 17 UNION MIX	
3	909 5330 000	2	PAD HOLDER 13 330MM W/CENTER LOCK	
3	909 5331 000	2	PAD HOLDER 14 355MM W/CENTER LOCK	
3	9097582000	2	PAD HOLDER 17 432MM	
3	9100000142	2	PAD HOLDER FLAT 13 330MM	
3	9100000143	2	PAD HOLDER FLAT 14 355MM	
3	9100000144	2	PAD HOLDER FLAT 17 432MM	
4	9097652000	1	DECK BRUSH 750MM/28 CYL KIT	INST.INSTR.9097695000-COMPLEXITY REDUCTION
5	56412046	2	BRUSH POLYPROPYLENE 28-RED	
5	56412191	2	BRUSH SOFT NYLON 28-YELLOW	
5	56412192	2	BRUSH HARD NYLON 28-NATURAL	
5	56412193	2	BRUSH 180 GRIT 28-BLUE/GREY	
5	56412194	2	BRUSH 80 GRIT 28 BLACK	
5	56412195	2	BRUSH 46 GRIT 28 ORANG/BROWN	
6	9097539000	1	SQUEEGEE CPL ALU 840MM/33 KIT	
6	9097540000	1	SQUEEGEE CPL ALU 890MM/35 KIT	
6	9097541000	1	SQUEEGEE CPL ALU 1040MM/41 KIT	
7	9096991000	1	BLADE SQUEEGEE 890MM 35 PU KIT	
7	9097358000	1	BLADE SQUEEGEE 1040MM 41 PU KIT	
7	9100000282	1	BLADES NON MARKING 1040MM/41 KIT	
8	9098342000	1	THIRD BLADE SQUEEGEE KIT D8	INST.INSTR.9098337000
9	9098912000	1	PLATE SQUEEGEE SUPPORT KIT	ACCESSORY FOR BA 651/751-TSB IT 2010-062

Recommended spare parts

BA 651/BA751/BA751C/BA851

31-03-2015

Part List ID

BA65119

41

No Drawing For Part List

Recommended spare parts

BA 651/BA751/BA751C/BA851

31-03-2015

Part List ID
BA65119

42

Pos	Part no.	Qty	Description	
1	9099929000	1	MOTOR VACUUM 3ST 24V 420W KIT	BA 651 - 751 - 851 - 751C
2	9097653000	2	CARBON BRUSH	BA 651 - 751 - 851 - 751C
3	146 0630 000	1	GASKET BULB RUBBER L.1800MM	BA 651 - 751 - 851 - 751C
4	9100000680	1	ACTUATOR LINEAR 24V DC STRK 100MM PKD	BA 651 - 751 - 851 - 751C
5	909 5637 000	1	SPRING GAS	BA 651 - 751 - 851 - 751C
6	9097621000	1	WHEEL REAR CASTOR KIT	BA 651 - 751 - 851 - 751C
7	9097620000	2	WHEEL FRONT DRIVE KIT	BA 651 - 751 - 851 - 751C
8	9097363000	1	MOTOR DRIVE 200W 24V	BA 651 - 751 - 851 - 751C
9	1464434000	1	CARBON BRUSHES KIT 2 PCS	BA 651 - 751 - 851 - 751C
10	9097623000	1	POTENTIOMETER KIT	BA 651 - 751 - 851 - 751C
11	9100000792	1	MICROSWITCH 16A 250V PKD	BA 651 - 751 - 851 - 751C
12	909 6038 000	1	CONNECTING ROD F POTENTIOMETER	BA 651 - 751 - 851 - 751C
13	909 6171 000	1	HARNESS HANDLE BAR DRIVE	BA 651 - 751 - 851 - 751C
14	9100001062	1	POTENTIOMETER 5K 40 PKD	BA 651 - 751 - 851 - 751C
15	909 6555 000	1	SOLENOID VALVE 24V	BA 651 - 751 - 851 - 751C
16	9100000362	1	FILTER WATER	BA 651 - 751 - 851 - 751C
17	9099481000	1	NET WATER FILTER REINFORCED	BA 651 - 751 - 851 - 751C
18	9097626000	1	VALVE BALL ELBOW D.13 KIT	BA 651 - 751 - 851 - 751C
19	9097629000	1	SQUEEGEE LIFTING KIT	BA 651 - 751 - 851 - 751C
20	9097632000	1	HARDWARE SQU.HOLDER FIXING KIT	BA 651 - 751 - 851 - 751C
21	9097635000	1	BLADES SQUEEG.FIX 35 KIT	BA 651 - 751 - 751C
22	9097636000	1	BLADES SQUEEG.FIX 41 KIT	BA 851
23	909 6887 000	2	ROLLER BUMPER KIT	BA 651 - 751 - 851 - 751C
24	9097637000	1	SQUEEGEE FIXING KIT	BA 651 - 751 - 851 - 751C
25	909 6883 000	1	WHEELS SQUEEGEE 60X20MM KIT	BA 651 - 751 - 851 - 751C
26	9100000281	1	BLADES NON MARKING 890MM/35 KIT	BA 651 - 751 - 751C
27	9100000282	1	BLADES NON MARKING 1040MM/41 KIT	BA 851
28	9099546000	2	REDUCTION GEARMOTOR 24V 400W KIT	BA 651 - 751 - 851
29	9098376000	2	CARBON BRUSHES KIT 4 PCS	BA 651 - 751 - 851
30	9097640000	1	HOLDER POLYGONAL RIGHT KIT	BA 651 - 751 - 851
31	9097639000	1	HOLDER POLYGONAL LEFT KIT	BA 651 - 751 - 851
32	909 5224 000	1	SPLASH GUARD DECK 650MM/26	BA 651
33	909 5345 000	1	SPLASH GUARD DECK 750MM/30	BA 751
34	9097471000	1	SPLASH GUARD DECK 850MM/34	BA 851
35	9099858000	2	MOTOR ELECTRIC 600W 24V KIT	BA 751C
36	L08603949	1	CARBON BRUSHES KIT 4 PCS	BA 751C
37	9098488000	1	ROLLERS BUMPERS KIT	BA 751C
38	909 6731 000	1	BELT POLY-V	BA 751C
39	909 5761 000	1	BELT POLY-V	BA 751C
40	9097660000	1	SPLASH GUARDS KIT	BA 751C
41	9097659000	2	BRUSH HOLDER KIT	BA 751C
42	9100000177	1	CARD ELECTRONIC FUNCTIONS PKD	BA 651 - 751 - 851 - 751C
43	146 2888 000	1	SWITCH KEY WITH CAP	BA 651 - 751 - 851 - 751C

Recommended spare parts

BA 651/BA751/BA751C/BA851

31-03-2015

Part List ID
BA65119

43

Pos	Part no.	Qty	Description	
44	909 6622 000	1	RELAY 24V 40A	BA 651 - 751 - 851 - 751C
45	909 5127 000	1	SWITCH ELECTROMAGNETIC 24V D	BA 651 - 751 - 851 - 751C
46	9100000189	1	CARD ELECTRONIC TRACTION PKD	BA 651 - 751 - 851 - 751C
47	909 6183 000	1	PUMP CHEMICAL MIX	BA 651 - 751 - 851 - 751C
48	56315108	1	PUMP 24V	BA 651 - 751 - 851 - 751C
49	56315522	1	CHECK VALVE 1/8 BARB 125PSI	BA 651 - 751 - 851 - 751C

General list of accessories

BA 651/BA751/BA751C/BA851

31-03-2015

Part List ID

BA65120

44

No Drawing For Part List

General list of accessories

BA 651/BA751/BA751C/BA851

31-03-2015

Part List ID
BA65120

45

Pos	Part no.	Qty	Description
1	9097522000	1	DECK BRUSH 600MM/24 KIT COMPLEXITY REDUCTION
2	9097610000	1	DECK BRUSH 650MM/26 KIT
3	9097611000	1	DECK BRUSH 750MM/28 KIT
4	9097612000	1	DECK BRUSH 850MM/34 KIT
5	9097652000	1	DECK BRUSH 750MM/28 CYL KIT COMPLEXITY REDUCTION
6	L08603875	2	BRUSH DISC 305MM 12 UNION MIX
7	L08603842	2	BRUSH DISC 305MM 12 PROLENE
8	L08603874	2	BRUSH DISC 305MM 12 PROLITE
9	L08603873	2	BRUSH DISC 305MM 12 MID GRIT 240
10	L08603872	2	BRUSH DISC 305MM 12 MIDLITE GRIT 180
11	909 5340 000	2	BRUSH DISC 330MM 13 UNION MIX
12	909 5332 000	2	BRUSH DISC 330MM 13 PROLENE
13	909 5338 000	2	BRUSH DISC 330MM 13 PROLITE
14	909 5334 000	2	BRUSH DISC 330MM 13 MID GRIT 240
15	909 5336 000	2	BRUSH DISC 330MM 13 MIDLITE GRIT 180
16	909 5341 000	2	BRUSH d.370 UNION MIX
17	909 5333 000	2	BRUSH DISC 370MM 14.5 PROLENE
18	909 5339 000	2	BRUSH DISC 370MM 14.5 PROLITE
19	909 5335 000	2	BRUSH DISC 370MM 14.5 MID GRIT 240
20	909 5337 000	2	BRUSH DISC 370MM 14.5 MIDLITE GRIT 180
21	9097581000	2	BRUSH DISC 430MM 17 UNION MIX
22	9097469000	2	BRUSH DISC 430MM 17 PROLENE
23	9097580000	2	BRUSH DISC 430MM 17 PROLITE
24	9097578000	2	BRUSH DISC 430MM 17 MID GRIT 240
25	9097579000	2	BRUSH DISC 430MM 17 MIDLITE GRIT 180
26	56412191	2	BRUSH SOFT NYLON 28-YELLOW
27	56412192	2	BRUSH HARD NYLON 28-NATURAL
28	56412046	2	BRUSH POLYPROPYLENE 28-RED
29	56412193	2	BRUSH 180 GRIT 28-BLUE/GREY
30	56412194	2	BRUSH 80 GRIT 28 BLACK
31	56412195	2	BRUSH 46 GRIT 28 ORANG/BROWN
32	L08603939	2	PAD HOLDER KIT CPL 305MM W/CENTER LOCK
33	909 5330 000	2	PAD HOLDER 13 330MM W/CENTER LOCK
34	909 5331 000	2	PAD HOLDER 14 355MM W/CENTER LOCK
35	9097582000	2	PAD HOLDER 17 432MM
36	10001915	1	PAD 13 330MM ECO WHITE 5PCS
37	10001913	1	PAD 13 330MM ECO GREEN 5PCS
38	10001914	1	PAD 13 330MM ECO RED 5PCS
39	10001911	1	PAD 13 330MM ECO BLUE 5PCS
40	10001912	1	PAD 13 330MM ECO BROWN 5PCS
41	10001921	1	PAD 14 355MM ECO WHITE 5PCS
42	10001919	1	PAD 14 355MM ECO GREEN 5PCS
43	10001920	1	PAD 14 355MM ECO RED 5PCS

General list of accessories

BA 651/BA751/BA751C/BA851

31-03-2015

Part List ID
BA65120

46

Pos	Part no.	Qty	Description	
44	L00190796	1	PAD 14 355MM BLUE 5PCS	
45	L00190797	1	PAD 14 355MM BROWN 5PCS	
46	10001936	1	PAD 17 432MM ECO WHITE 5PCS	
47	10001940	1	PAD 17 432MM ECO GREEN 5PCS	
48	10001941	1	PAD 17 432MM ECO RED 5PCS	
49	10001939	1	PAD 17 432MM ECO BLUE 5PCS	
50	10001971	1	PAD 17 432MM ECO BROWN 5PCS	
51	9097539000	1	SQUEEGEE CPL ALU 840MM/33 KIT	
52	9097540000	1	SQUEEGEE CPL ALU 890MM/35 KIT	
53	9097541000	1	SQUEEGEE CPL ALU 1040MM/41 KIT	
54	9096991000	1	BLADE SQUEEGEE 890MM 35 PU KIT	
55	9097358000	1	BLADE SQUEEGEE 1040MM 41 PU KIT	
56	909 5065 000	1	FILTER ANTIFOAMING	
57	909 6734 000	1	RUBBER BAND HOLDER KIT	
58	909 5512 000	1	WHEELS FRONT DRIVE KIT	
59	909 5511 000	1	WHEEL REAR CASTOR SOFTER	
60	9096916000	1	FILTER SOLUTION TANK	OPTION
61	9096951000	1	COUNTER HOUR 24V KIT	
62	9097597000	1	CHARGER BATT. ON BOARD 24V 25A 230V KIT	
63	9097457000	1	ECOFLEX CHEMICAL KIT	