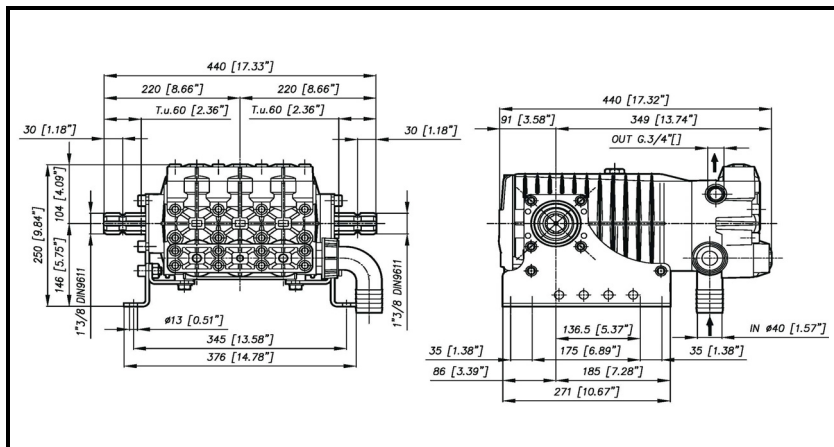
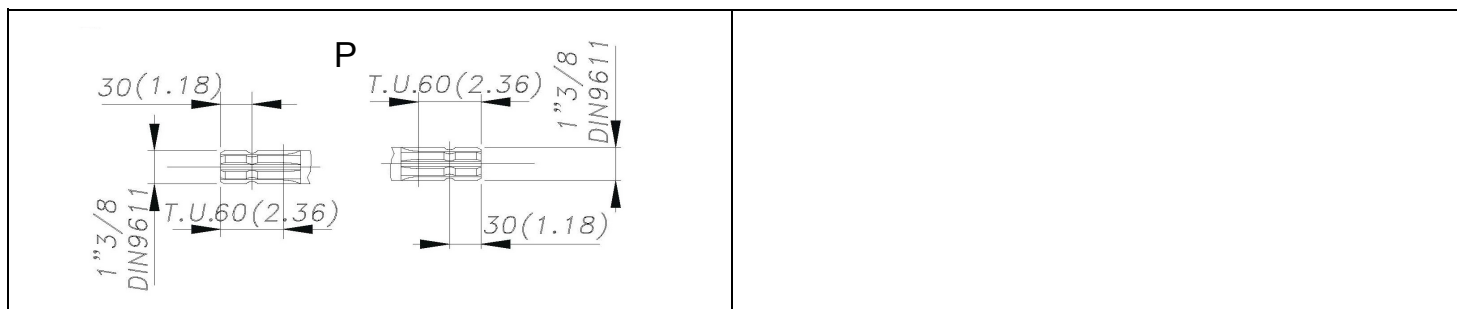


## DIMENSIONI D'INGOMBRO - OVERALL DIMENSIONS



## ALBERO POMPA - PUMP SHAFT



## COPPIA DI SERRAGGIO - TORQUE CHART

CODICE - CODE	Q.TY	POS	N·m	Lbr.ft
86.3910.00.2	16	4	68	50,2
86.4120.00.2	8	5	68	50,2
86.3703.00.2	4	28	68	50,2
86.3696.00.2	2	32	40 (LOXEAL 54-03)	29,6 (LOXEAL 54-03)
86.2216.00.2	10	43	10	7,4
86.3439.00.2	6	44	40	29,5
86.3986.00.2	3	60	40 (LOXEAL 54-03)	29,6 (LOXEAL 54-03)
86.3960.00.2	3	73	40 (LOXEAL 54-03)	29,6 (LOXEAL 54-03)
86.3696.00.2	4	30	68	50,2

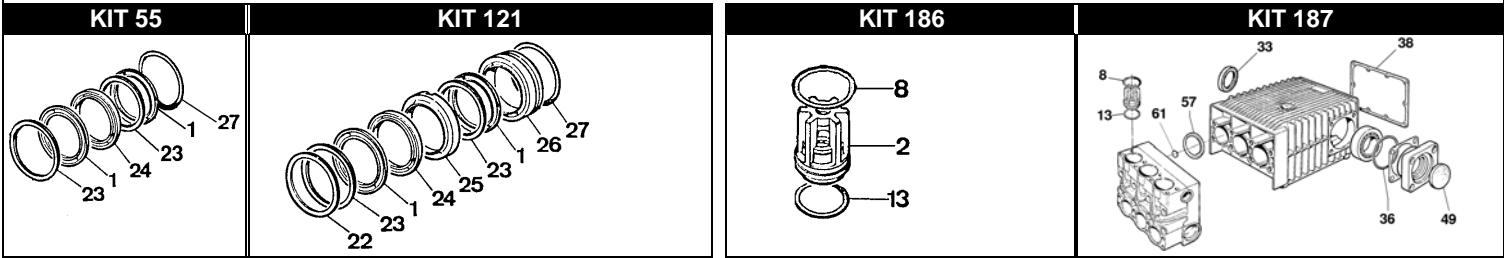
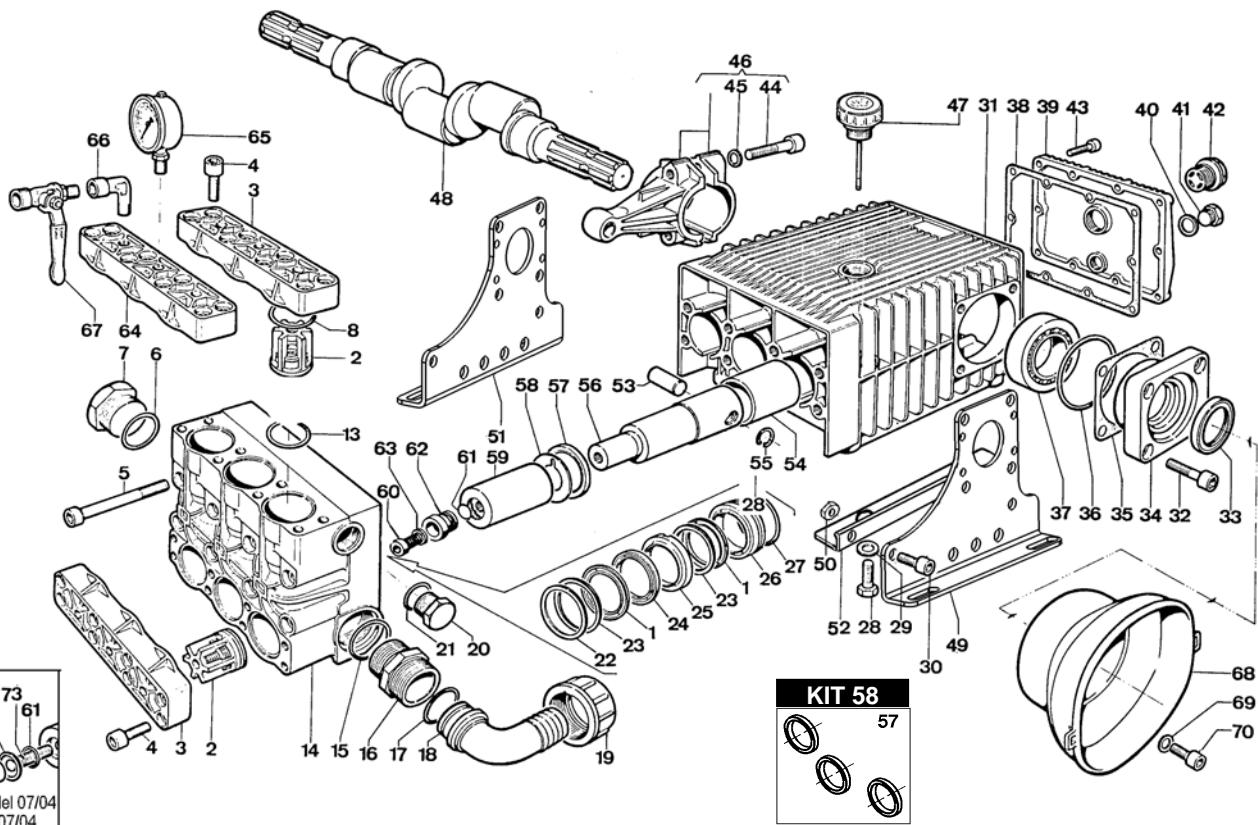
Tolleranza di serraggio:  
Tolerance on torque value: 0/-10%

## INFORMAZIONI UTILI USEFUL INFORMATION

### LUBRIFICANTE - LUBRICANT:

OLIO MOTORE O SEMIDRAULICO SAE 30  
MOTOR OIL OR SEMI-HYDRAULIC OIL SAE 30





POS.	CODICE PART NO. RÉF.	DENOMINAZIONE - DESCRIPTION - DESCRIPTION	Q.TY	POS.	CODICE PART NO. RÉF.	DENOMINAZIONE - DESCRIPTION - DESCRIPTION	Q.TY	
1	KIT 55-121	802201002	"V" PACKING DIA. D.45	6	41	852579002	CAP G.3/8	1
2	KIT 186	739824973	VALVES ASSY	6	42	853515502	OIL SIGHT GLASS WITH O-RING	1
3		730416092	VALVES COVER	2	43	862216002	BOLT TCEI M6x25 UNI5931	10
4		863910002	BOLT TCEI M12x40 UNI5931	16	44	863439002	BOLT TCEI M10x45 UNI5931	6
5		864120002	BOLT TCEI M12x110 UNI5931	8	45	843870002	SCHNORR WASHER D.10,5	6
6		803209602	O-RING 2,62x47,3	1	46	739802973	CONROD	3
7		852752002	CAP G.1"1/2	1	47	853516002	OIL PLUG + DIP STICK	1
8	KIT 186-187	803270002	O-RING 3,53x49,2	6	48/1	730409262	ALBERO ECCENTRICO CK 120	1
13	KIT 186-187	803253002	O-RING 3,53x34,52	6	48/2	760029262	ALBERO ECCENTRICO CK 110	1
14		730415092	PUMP HEAD	1	49	730226612	SUPPORTO LATERALE DESTRO	1
15		803209602	O-RING 2,62x47,3	1	50	814706002	DADO M12	4
16		835092502	NIPPLE G.1"1/2-G.1"3/4	1	51	730227612	SUPPORTO LATERALE SINISTRO	1
17		803208502	O-RING 2,62x37,77	1	52	730228612	STAFFA	2
18		840595002	90° ELBOW CONNECTOR DIA.40 -1,57"	1	53	852007402	PISTON PIN DIA.18x35	3
19		820095002	WING NUT G.1"3/4	1	54	804468002	BUSHING	3
20		852693002	CAP G.3/4	1	55	800040002	SNAP RING D.18	6
21		803218002	O-RING 3,0x22	1	56	730407092	PLUNGER ROD	3
22	KIT 121	730039532	SPACER	3	57	KIT 58-187	OIL SEAL	3
23	KIT 55-121	730044322	THRUST RING	6	58	844301002	SPLASH GUARD WASHER	3
24	KIT 55-121	730040322	ANTIEXTRUSION RING	3	59	730410182	CERAMIC PISTON DIA.45	3
25	KIT 121	730058532	FRONT GLAND	3	60	863986002	BOLT TCEI M12x50 UNI5931	3
26	KIT 121	730070532	REAR GLAND	3	61	KIT-187	O-RING 2,62x20,24	3
27	KIT 55-121	803283002	O-RING 3,53x58,74	3	62	730041512	WASHER	3
28		863703002	BOLT	4	63	843872002	WASHER	3
29		843906002	WASHER D.13 UNI1751	1	68	311482973	PLAIN SAFETY CONE (OPTIONAL)	1
30		730024612	MOUNTING RAIL	2	69	843710002	WASCHER D.9X24X2 UNI6593 (OPTIONAL)	2
31		730400092	CRANKCASE	1	70	862475002	BOLT TCEI M8X14 UNI5931 (OPTIONAL)	2
32		863969002	BOLT TCEI M12x25 UNI5931	8	71	730048532	PLUG	3
33	KIT-187	802143002	OIL SEAL	2	72	824161002	GASKET D.25,3x30x1	3
34/1		730411092	BEARING COVER D.80 CK 120 -CK 110	2	73	863960002	SCREW STEI M12x45 UNI5923	3
34/2		730412092	BEARING COVER D.72 CK 90-CK 115	2				
35/1		730413652	SHIM SP.0,1	1	<b>REPAIR KIT</b>	<b>ITEM No.s INCLUDED</b>	<b>PCS.</b>	
35/2		730414652	SHIM SP.0,2	1	KIT 55	739841973	SPARE PARTS KIT	18
36	KIT-187	803210672	O-RING 2,62x88,57	2	KIT 58	739842973	SPARE PARTS KIT	3
37/1		812940002	BEARING 45X80X26 CK 120 -CK 110	2	KIT 121	739846973	SPARE PARTS KIT	27
37/2		812859002	BEARING 35X72X24 CK 90-CK 115	2	KIT 186	739871973	SPARE PARTS KIT	18
38	KIT-187	730065722	COVER GASKET	1	KIT 187	731028973	SPARE PARTS KIT	24
39	KIT-187	730002092	CRANKCASE COVER	1				
40		824107002	GASKET D.16,5x23x1	1				