



EQUIPAGGIAMENTI
TECNICI
LAVAGGIO

26.2555.30
ARS 178 P - INOX
ARS 178 P - SST



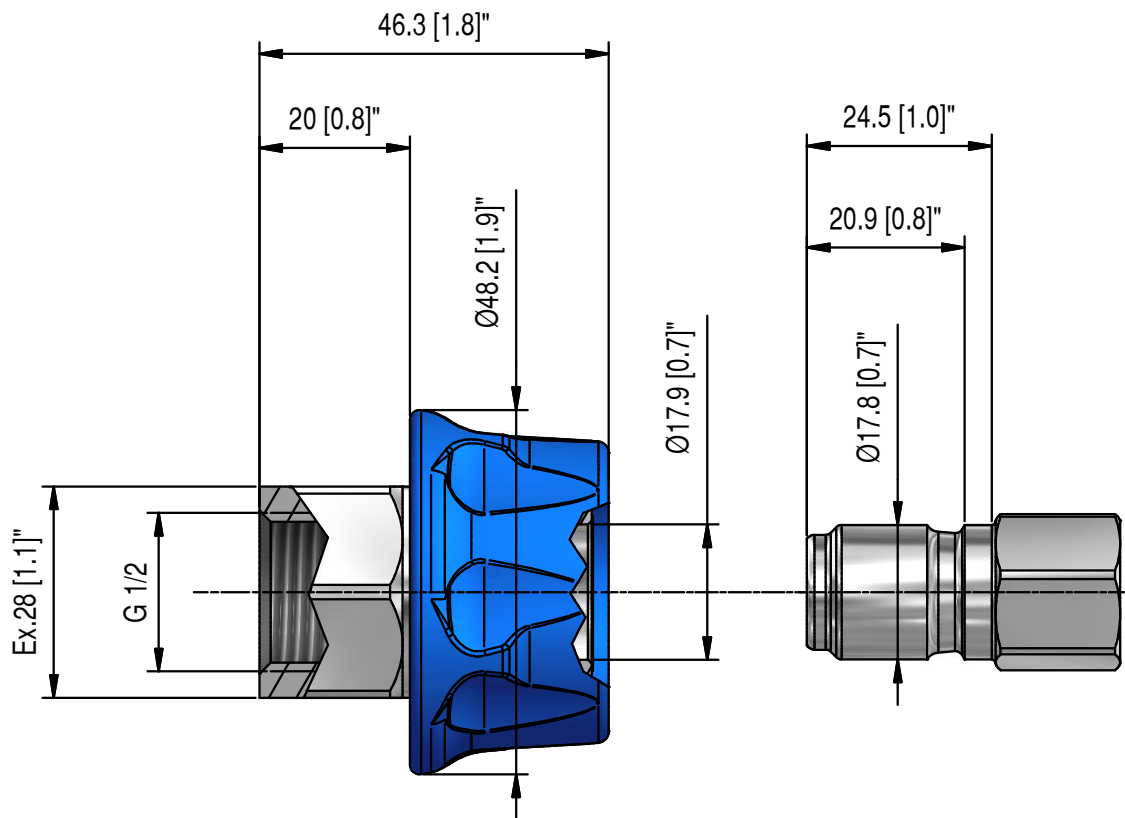
2

15/03/11

CARATTERISTICHE TECNICHE - SPECIFICATIONS

- PRESSIONE NOMINALE RATED PRESSURE	250 bar - 25 MPa (3650 psi)
- PRESSIONE CONSENTITA PERMISSIBLE PRESSURE	280 bar - 28 MPa (4050 psi)
- PORTATA MASSIMA MAX FLOW RATE	50 l/min (13,2 USG p.m.)
- TEMPERATURA MASSIMA MAX WORKING TEMPERATURE	90° C (195° F)
- MASSA WEIGHT	120 g (4,23 oz.)

MISURE D'INGOMBRO - OVERALL DIMENSIONS



26.2555.30



EQUIPAGGIAMENTI
TECNICI
LAVAGGIO

26.2555.40
ARS 178 P - INOX
ARS 178 P - SST



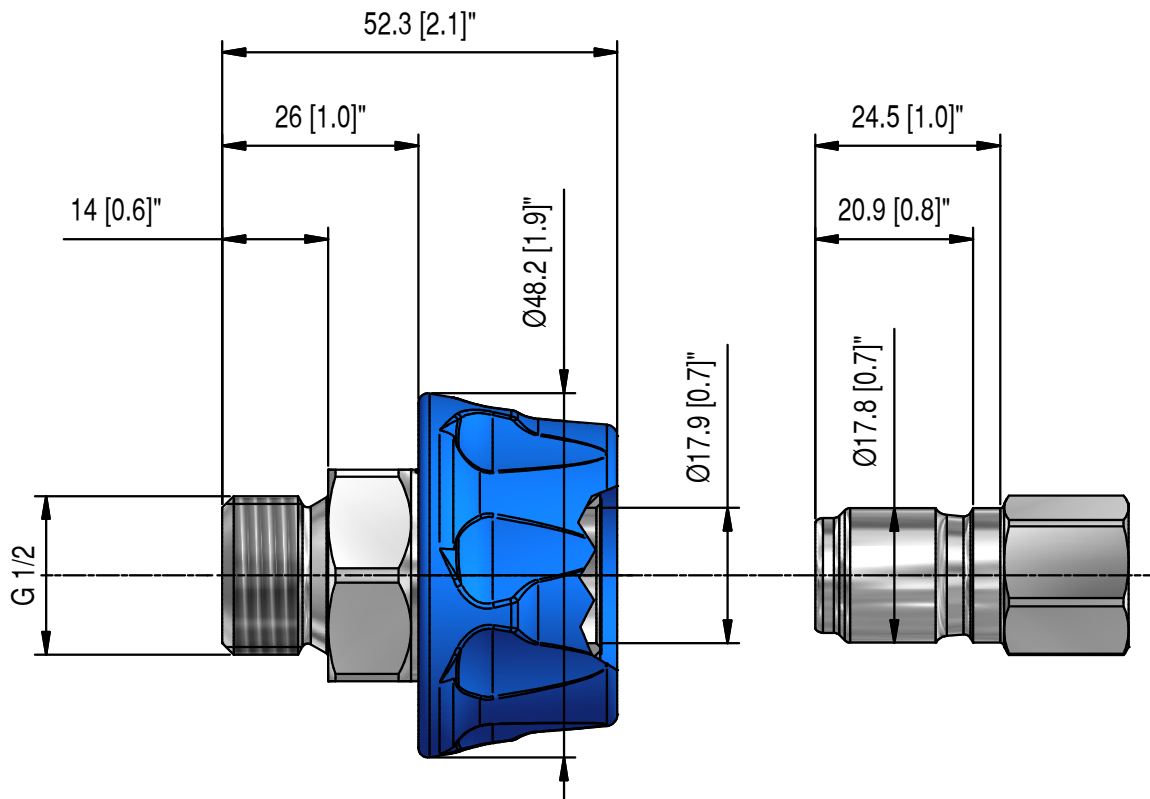
2

04/02/11

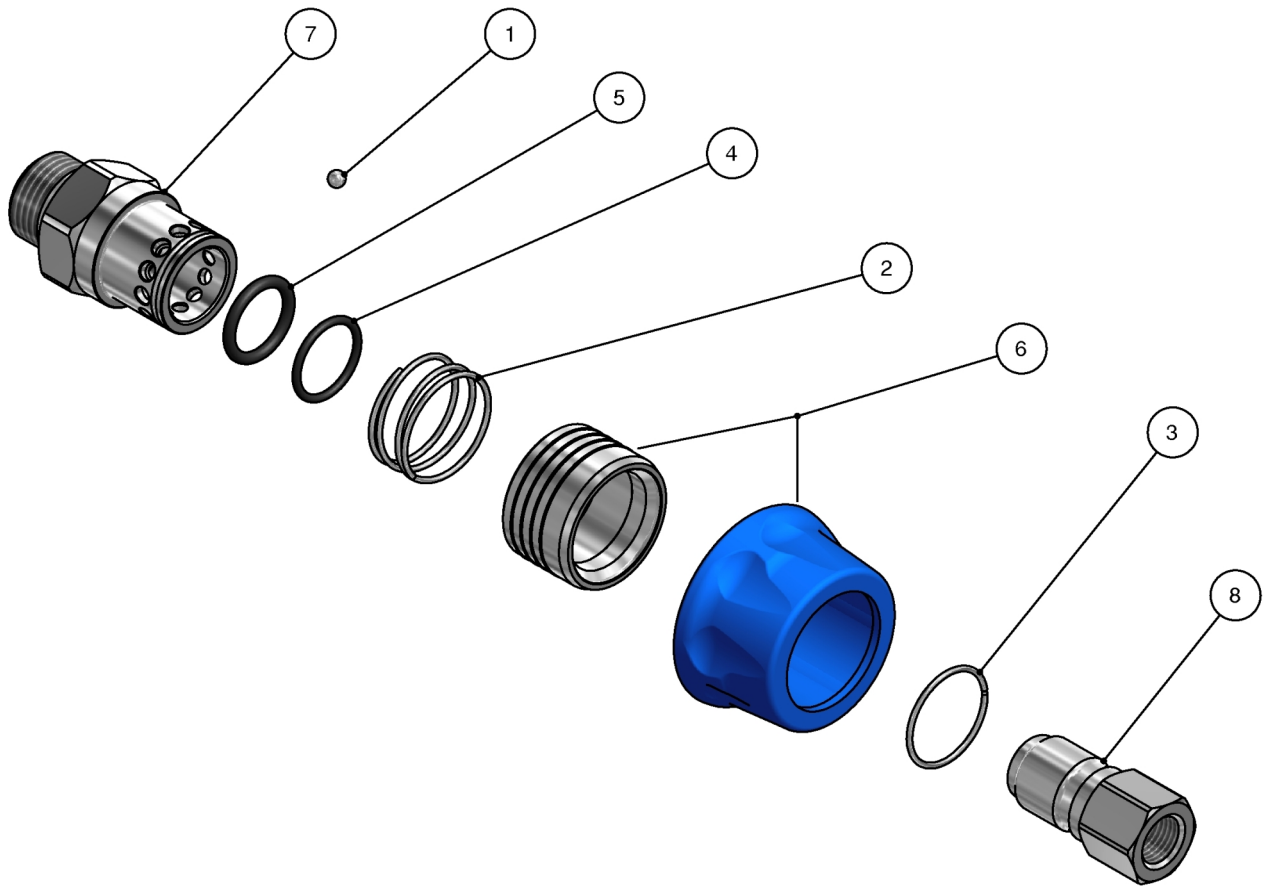
CARATTERISTICHE TECNICHE - SPECIFICATIONS

- PRESSIONE NOMINALE RATED PRESSURE	250 bar - 25 MPa (3650 psi)
- PRESSIONE CONSENTITA PERMISSIBLE PRESSURE	280 bar - 28 MPa (4050 psi)
- PORTATA MASSIMA MAX FLOW RATE	50 l/min (13,2 USG p.m.)
- TEMPERATURA MASSIMA MAX WORKING TEMPERATURE	90° C (195° F)
- MASSA WEIGHT	120 g (4,23 oz.)

MISURE D'INGOMBRO - OVERALL DIMENSIONS



26.2555.40



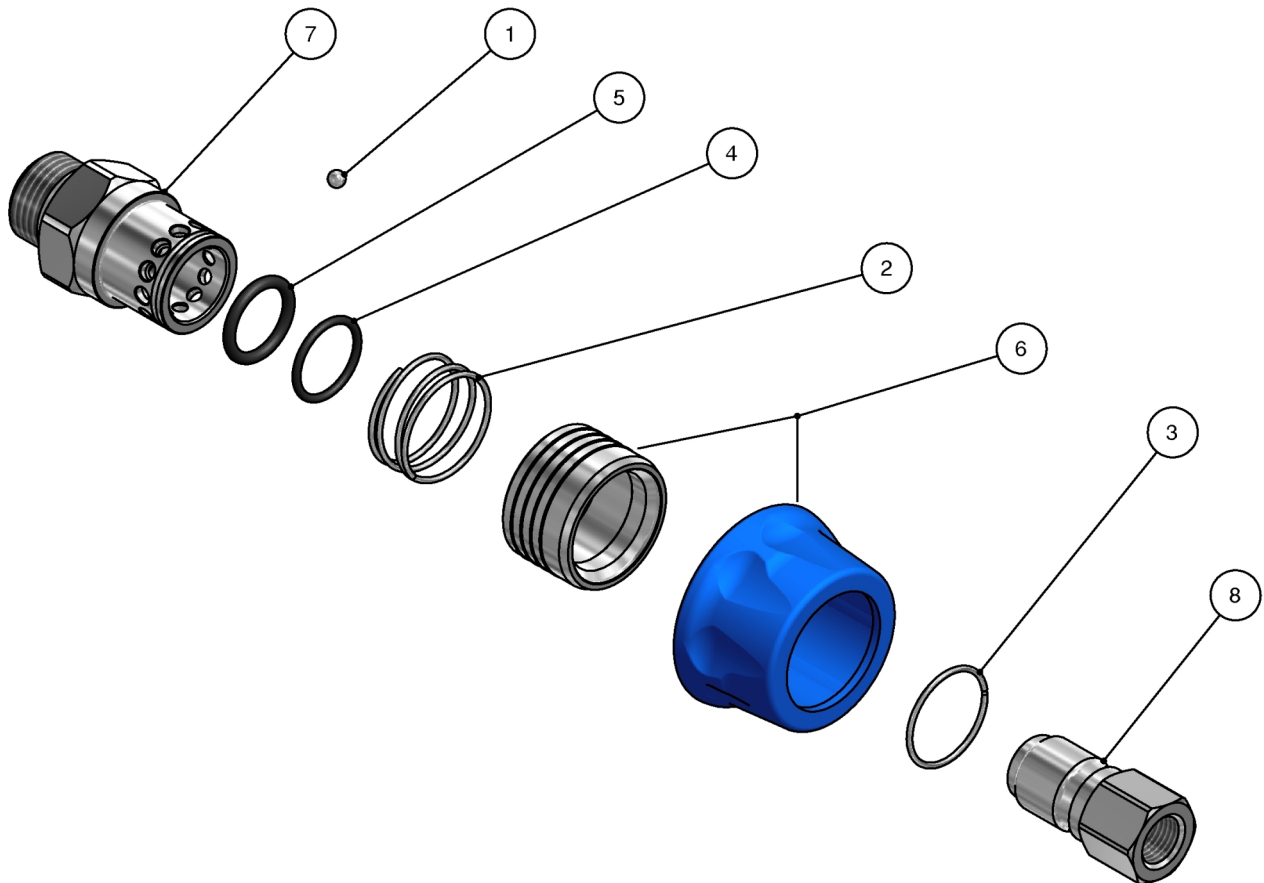
Pos.	Codice	Descrizione	Q.tà	K1	K2	K3	K4	
1	14.7405.00	Sfera 5/32" inox	12					10
2	26.2502.51	RARS 178 Molla 1,3x26x22mm inox	1					10
3	26.2504.51	RAn.elast. 1,3 mm inox	1					10
4	10.3068.10	RAn.OR 1,78x17,17 mm Vi 70	1					10
5	10.3181.25	RAn. or 2,62 x 15,88 mm Vit.	1					10
6	26.2557.21	RARS 178 P Manopola blù	1					5
7	26.2508.51	RARS178 Corpo G1/2M inox	1					5
7	26.2507.51	RARS178 Corpo G1/2 F inox (1)	1					5

Pos.	Codice	Descrizione	Q.tà	K1	K2	K3	K4	
8	26.2520.00	RARS178H A.r.sfera 25 MPa A G1/4F inox	1					5
8	26.2520.10	RARS178H-A -A.r.sfera 25 MPa -G3/8F inox	1					5
8	26.2520.30	RARS178H A- A.r.sfera 25 MPa G1/2F inox	1					5
8	26.2520.40	RARS178H A- A.r.sfera 25 MPa G1/2M inox	1					5
8	26.2530.00	ARS178L-A- A.r.sfera 12,5 MPa G1/4F inox	1					5
8	26.2530.10	ARS178L- A- A.r.sfera 12,5 MPa G3/8 F inox	1					5
8	26.2530.30	ARS178L- A- A.r.sfera 12,5 MPa G1/2F inox	1					5
8	26.2530.40	ARS178L- A- A.r.sfe.12,5 MPa G1/2M in.	1					5

(1) 26.2555.30

26.2555.30 ARS178P- B sst ball-type coupl. 1/2 F

26.2555.40 ARS178P- B sst ball-type coupl. 1/2 M



Pos.	P/N	Description	Q.ty	K1	K2	K3	K4	
1	14.7405.00R	Ball, 5/32" Sst.	12					10
2	26.2502.51R	Sst spring, 1,3x26x22mm	1					10
3	26.2504.51R	Snap ring, 1,3 mm sst	1					10
4	10.3068.10R	O-ring, 1,78x17,17 mm Vi 70	1					10
5	10.3181.25R	O-Ring, 2,62x15,88 mm Vit.	1					10
6	26.2557.21R	Hand nut, ARS 178 P blue	1					5
7	26.2508.51R	Housing -ARS178, 1/2 M Bsp	1					5
7	26.2507.51R	Housing -ARS178, 1/2 F Bsp (1)	1					5

Pos.	P/N	Description	Q.ty	K1	K2	K3	K4	
8	26.2520.00R	ARS178H- A ball-type nipple 1/4F Bsp	1					5
8	26.2520.10R	ARS178H- A ball-type nipple 3/8 F Bsp	1					5
8	26.2520.30R	ARS178H- A ball-type nipple 1/2 F Bsp	1					5
8	26.2520.40R	ARS178H- A ball-type nipple 1/2 M Bsp	1					5
8	26.2530.00	ARS178L- A-Sst ball-type nipple 1/4 F Bsp	1					5
8	26.2530.10	ARS178L-Sst ball-type nipple A-3/8 F Bsp	1					5
8	26.2530.30	ARS178L- A ball-type nipple 1/2 F Bsp	1					5
8	26.2530.40	ARS178L- A ball-type nipple 1/2 M Bsp	1					5

(1) 26.2555.30